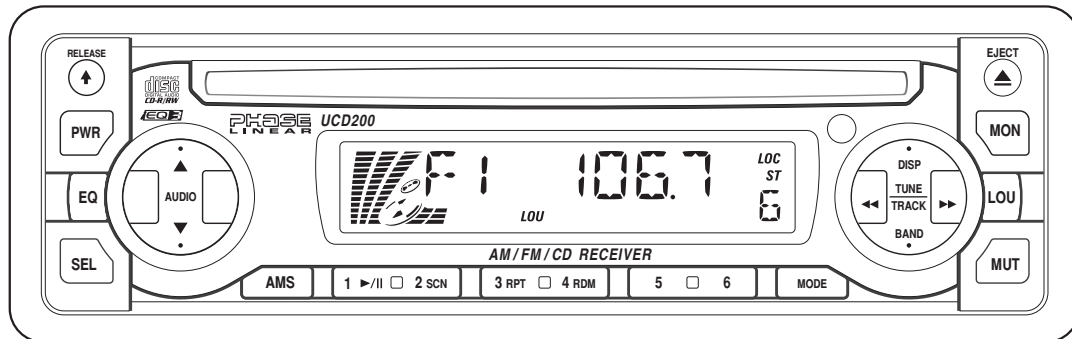


PHASE LINEAR

UCD200

Owner's Manual/Manual del Usuario/Manual de L'Utilisateur



AM/FM/CD Receiver

Receptor AM/FM/CD

AM/FM/CD Ampli-Syntoniseur

Para obtener instrucciones en Español, dirijase a la página 18.

Pour des instructions en Francais, référez-vous à la page 34.

PREPARATION

Getting Started

It's a good idea to read all of the instructions before beginning the installation.

Contents

Installation Instructions.....	3
Wiring	5
Installing the Removable Faceplate	6
Operating Instructions	7
CD Player Operating Instructions.....	11
Care and Maintenance.....	13
Specifications	14
90 Day Limited Warranty.....	15

Installation Requirements

This unit is designed for installation in cars, trucks, and vans with an existing radio opening. In many cases, a special installation kit will be required to mount the radio to the dashboard. These kits are available at electronics supply stores and car stereo specialty shops. Always check the kit application before purchasing to make sure the kit works with your vehicle. If you need a kit but cannot locate one, call our customer support line at 1-800-323-4815. (U.S.A. and Canada only.)

Tools and Supplies

The following tools and supplies are needed to install the radio.

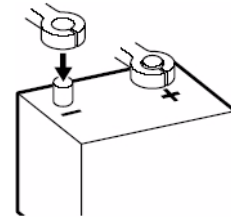
- Torx type, flathead and Philips screwdrivers
- Wire cutters and strippers
- Tools to remove existing radio (screwdriver, socket wrench set or other tools)
- Electrical tape
- Crimping tool
- Volt meter/test light
- Crimp connections
- 18 gauge wire for power connections
- 16-18 gauge speaker wire

Speaker Requirements

Only connect speakers rated with a load impedance of 4 ohms. Speakers with a load impedance of less than 4 ohms could damage the unit.

Disconnect Battery

Before you begin, disconnect the battery negative terminal.



Toll-Free Installation Assistance

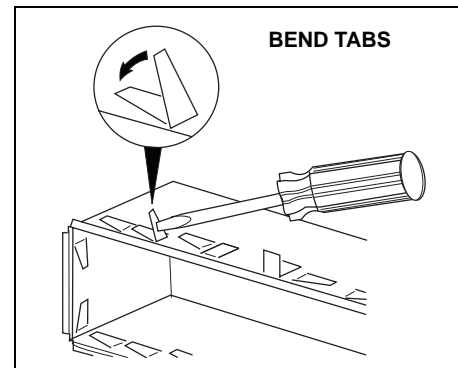
If you require assistance, contact Technical Support at 1-800-323-4815 from 8:30 a.m. to 7:00 p.m. EST Monday through Friday and from 9:00 a.m. to 5:00 p.m. EST on Saturday. (U.S.A. and Canada only.)

INSTALLATION INSTRUCTIONS

Installation Using a Mounting Sleeve

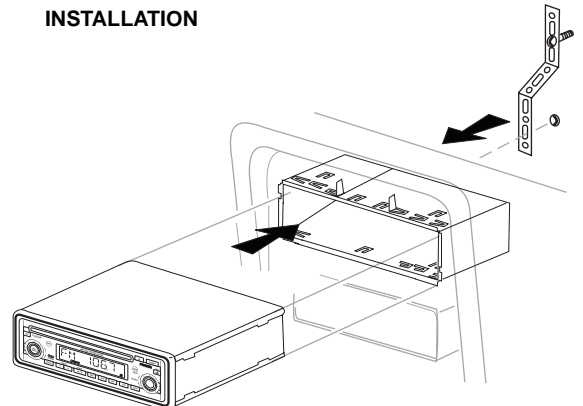
- Slide the mounting sleeve off the chassis. If it is locked into position, use the removal tools (supplied) to disengage it.
- Check the dashboard opening size by sliding the mounting sleeve into it. If the opening is too small, carefully cut or file as necessary until the sleeve easily slides into the opening. Do not force the sleeve into the opening or cause it to bend or bow. Check for sufficient space behind the dashboard for the radio chassis.
- Locate the series of bend tabs along the top, bottom and sides of the mounting sleeve. With the sleeve fully inserted into the dashboard opening, bend as many of the tabs outward as necessary to firmly secure the sleeve to the dashboard.
- Place the radio in front of the dashboard opening so the wiring can be brought through the mounting sleeve. Follow the wiring diagram carefully and make certain all connections are secure and insulated with wire nuts or electrical tape. After completing the wiring connections, turn the unit on to confirm operation (vehicle ignition must be "on"). If the unit does not operate, re-check all wiring until the problem is corrected.

- Make sure the radio is right-side up, then carefully slide the radio into the mounting sleeve until it is fully seated and the spring clips lock it into place.
- Attach one end of the perforated support strap (supplied) to the screw stud on the rear of the chassis using the hex nut provided. Fasten the other end of the perforated strap to a secure part of the dashboard either above or below the radio to position it as necessary.
- Test the radio using the Operating Instructions that follow.



CAUTION: The support strap must be used to prevent damage to the dashboard from the weight of the radio or improper operation due to vibration.

CAUTION: For proper operation of the CD player, the chassis must be mounted within 20° of horizontal. Make sure the unit is mounted within this limitation.



INSTALLATION INSTRUCTIONS

Installation Using a Kit

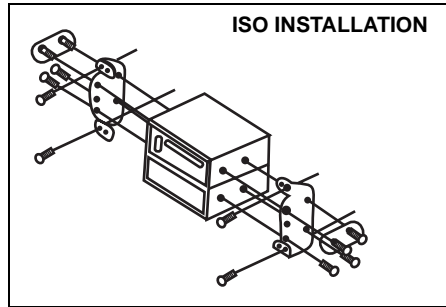
If your vehicle requires the use of an installation kit to mount this radio, follow the instructions included with the installation kit to attach the radio to the mounting plate supplied with the kit.

1. Wire and test the radio as described in step 4 of "Installation Using a Mounting Sleeve" on page 3.
2. Install the radio mounting plate assembly to the sub-dashboard according to the installation kit instructions.
3. Attach the support strap to the radio and dashboard as described in step 6 of "Installation Using a Mounting Sleeve" on page 3.
4. Replace the dashboard trim panel.

ISO Installation

This unit has threaded holes in the chassis side panels which may be used with the original factory mounting brackets of some Toyota, Nissan, Mitsubishi, Isuzu, Hyundai and Honda vehicles to mount the radio to the dashboard. Please consult with your local car stereo specialty shop for assistance on this type of installation.

1. Remove the existing factory radio from the dashboard or center console mounting. Save all hardware and brackets as they will be used to mount the new radio.



2. Carefully unsnap the plastic frame from the front of the new radio chassis. Remove and discard the frame.
3. Remove the factory mounting brackets and hardware from the existing radio and attach them to the new radio.

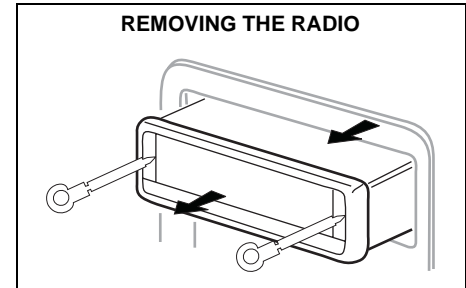
CAUTION: Do not exceed M5 X 6 MM screw size. Longer screws may touch and damage components inside the chassis.

4. Wire the new radio to the vehicle as described in step 4 of "Installation Using a Mounting Sleeve" on page 3.
5. Mount the new radio assembly to the dashboard or center console using the

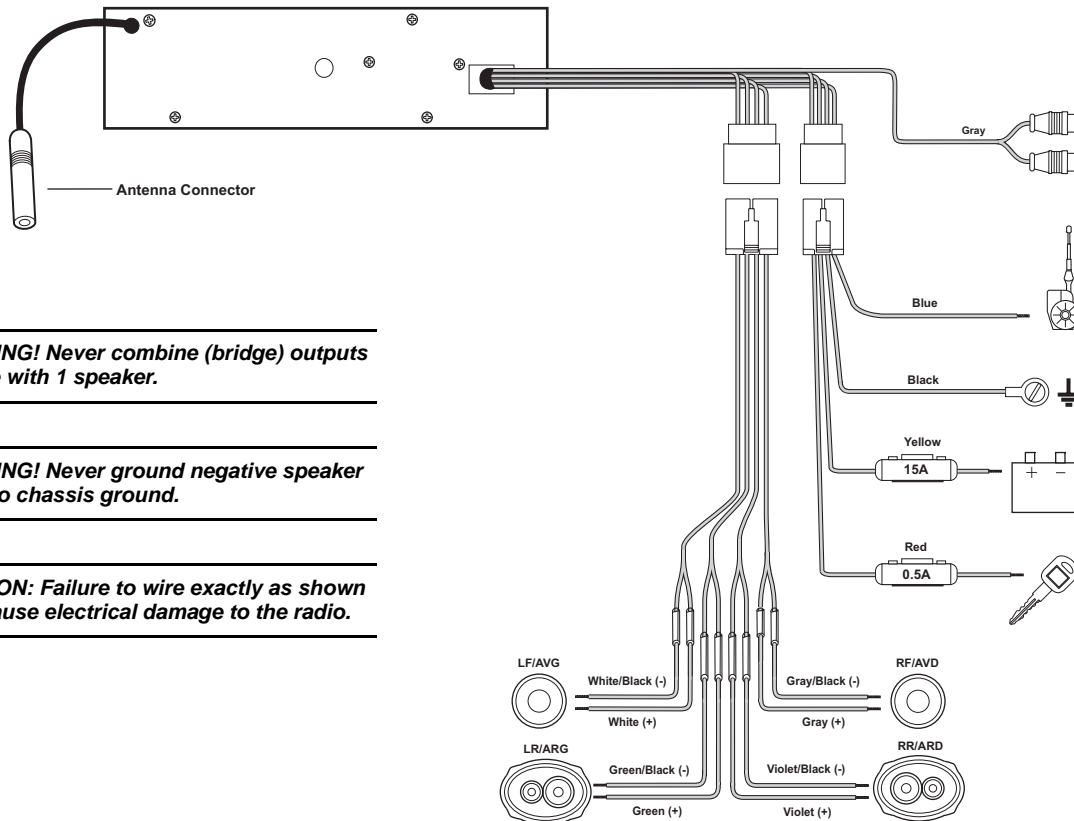
reverse procedure in step 1 of "Installation Using a Mounting Sleeve" on page 3.

Removing the Radio

To remove the radio after installation, remove the trim ring by lifting in the center and pulling it off from either side. Insert the removal keys straight back until they lock, then pull the radio out. If removal keys are inserted at an angle, they will not lock properly and will not release the unit.



WIRING



WARNING! Never combine (bridge) outputs for use with 1 speaker.

WARNING! Never ground negative speaker leads to chassis ground.

CAUTION: Failure to wire exactly as shown may cause electrical damage to the radio.

Amplifier Wiring

Connect line out for optional external amplifiers. The red connector is for the right and the white connector is for the left.

Power Antenna

Connect to power antenna or amplifier. If not used, tape bare end of wire.

Ground

Connect to ground terminal.

Memory/Battery

Connect to battery or 12 volt power source that is always live. The radio will not work if this wire is not connected.

Accessory/Ignition

Connect to existing radio wire or radio fuse.

Fuses


When replacing a fuse, make sure the new fuse is the correct type (AGC) and amperage. Using an incorrect fuse could damage the radio.

INSTALLING THE REMOVABLE FACEPLATE

Faceplate Installation

To install the faceplate, slip the right edge of the front panel into the radio then gently press the left side into place.

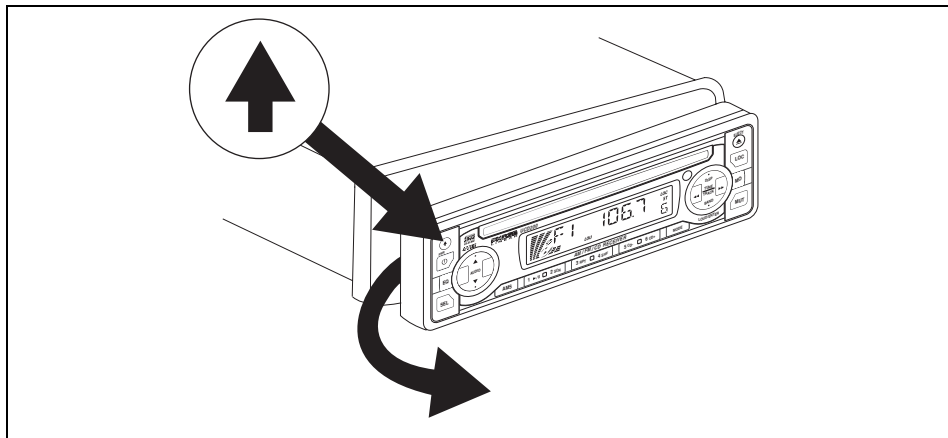
Faceplate Detachment

To remove the faceplate, press the release  button, and pull gently on the left side of the front panel.

For safekeeping, store the front panel in the protective case provided.

Handling Precautions

- Make sure the front panel is right-side-up when attaching it to the chassis as it cannot be attached when up-side down.
- Do not press very hard on the front panel when attaching it to the chassis. No more than light to moderate pressure is needed.
- When attaching the front panel, make sure it is centered in the chassis frame and is pressed straight into position.
- Do not drop the front panel.
- Do not put pressure on the display or control buttons when handling the front panel.
- Do not touch the electrical terminals on the front panel or main unit.



- Remove dirt or foreign substances with a clean, *dry* cloth only.
- Do not expose the front panel to extreme temperatures or direct sunlight.
- Keep volatile agents such as benzene, thinner or insecticides away from the front panel.
- Do not disassemble the front panel.
- When taking the front panel with you, please use the supplied carrying case to protect the panel from dirt and damage.
- Make sure there is no dust or dirt on the electrical terminals on the back of the panel as this could cause intermittent operation or other malfunctions.

NOTE: Located on the chassis behind the front panel, a light-emitting diode (LED) will flash when the panel is removed. The flashing light serves as a visual warning to the would-be thief that the unit has been disabled by removal of the front panel.

OPERATING INSTRUCTIONS

① Power On/Off Button (PWR)

Press the **PWR** button (1) to turn the unit on and off when the vehicle ignition switch is on. When the unit is off, the clock is automatically displayed on the Liquid Crystal Display (LCD) panel unless the ignition switch is off. If the radio is off when the ignition switch is turned off, the **PWR** button must be pressed to turn the radio on after the ignition switch is turned on. If the ignition switch is turned off while the radio is on, the radio will come on automatically when the ignition switch is again turned on.

② Liquid Crystal Display Panel

The Liquid Crystal Display (LCD) panel displays the frequency, time, and all activated functions, including a 5-bar graph which depicts the signal level.

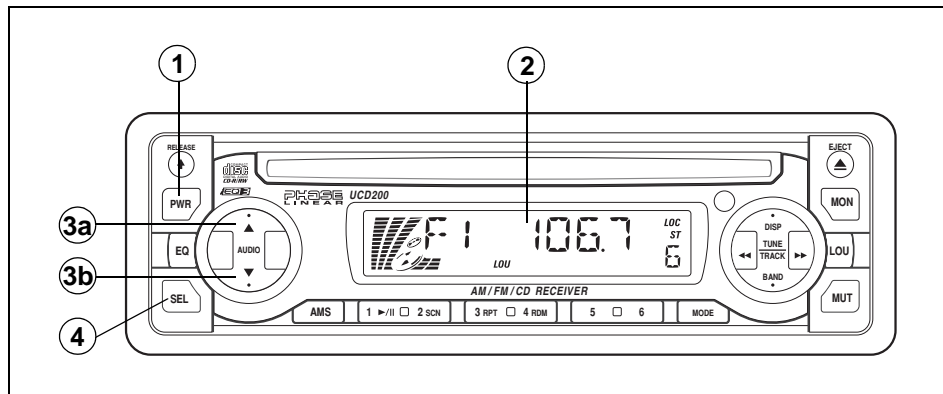
NOTE: It is a characteristic of LCD panels that, if subjected to cold temperatures for an extended period of time, they may take longer to illuminate than under normal conditions. In addition, the visibility of the numbers on the LCD may slightly decrease. The LCD read-out will return to normal when the temperature inside the vehicle increases to a normal range.

③ Volume Control (AUDIO)

To increase the volume level, press the **AUDIO** ▲ button (3a). To decrease the volume level, press the **AUDIO** ▼ button (3b). The volume will increase/decrease and the level will be shown on display panel from a minimum of "V 00" to a maximum of "V 46". Keep the button pressed to increase/decrease the volume quickly. The display will automatically return to the normal indication 5 seconds after the last volume adjustment or when another function is activated. These controls are also used in conjunction with the **SEL** button (4) to adjust the bass, treble, balance and fader levels.

④ Select Button (SEL)

The **SEL** button is used to select the audio function (volume, bass, treble, balance or fade) to be adjusted using the **AUDIO** buttons (3a and 3b). Press the **SEL** button (4) once to set the unit for volume adjustment ("V" will appear on the display panel). Press the button additional times to select bass adjustment ("BA" on display panel), treble adjustment (TR), balance (B), fader (F), and volume (V) again. The display will return to the normal indication 5 seconds after the last adjustment or when another function is activated.



OPERATING INSTRUCTIONS

4 Bass Control

To adjust the bass level, first select the Bass mode by pressing the **SEL** button (4) until "BA" appears on the display panel. Within five seconds, press the **AUDIO** buttons (3a and 3b) to adjust the bass response from a minimum of "B--7" to a maximum of "B 7" ("B 0" represents a flat response).

4 Treble Control

To adjust the treble level, press the **SEL** button (4) until "TR" appears on the display panel. Within five seconds, press the **AUDIO** buttons (3a and 3b) to adjust the treble from a minimum of "TR -7" to a maximum of "TR 7". "TR 0" represents a flat response.

4 Left/Right Balance Control

To adjust the left/right speaker balance, press the **SEL** button (4) until the "B" indication appears on the display panel (if not equally balanced, "BL" or "BR", followed by the balance level, will appear). Within five seconds, press the **AUDIO** buttons (3a and 3b) to adjust the balance between the left and right speakers from "BL 15" (full left) to "BR 15" (full right). "B 00" represents an equal balance level between the left and right speakers.

4 Rear/Front Fader Control

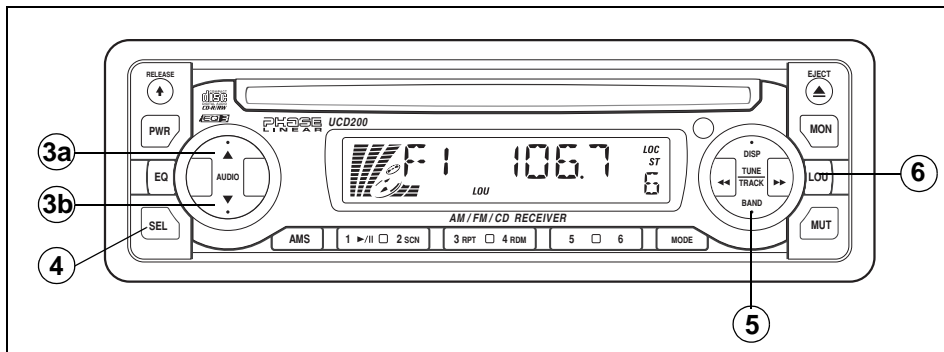
To adjust the front/rear speaker balance, press the **SEL** button (4) until "F" appears on the display panel. Within five seconds, press the **AUDIO** buttons (3a and 3b) to adjust the balance between the rear and front speakers from "FR 15" (full rear) to "FF 15" (full front). "F 00" represents an equal balance level between the rear and front speakers.

5 AM/FM Band Selector (BAND)

During radio play, each time the **BAND** button (5) is pressed, the radio band changes. The indications "AM 1", "AM 2", "FM 1", "FM 2", or "FM 3" will appear on the display panel according to your selection.

6 Loudness Control (LOU)

When listening to music at low volume levels, this feature will boost the bass and treble ranges to compensate for the characteristics of human hearing. Press the **LOU** button (6) to activate this feature as indicated by a beep tone and "LOUD" appearing on the display panel. ("LOUD" remains on the display.) Pressing the button again will sound a beep tone and "LOUD" will disappear from the display.



OPERATING INSTRUCTIONS

⑦ Tuning Control

Seek Tuning

Press the **TUNE/TRACK** (▶>) button (7a) to tune the radio higher, or the **TUNE/TRACK** (<<) button (7b) to tune the radio lower. The radio will seek the next strong station and stop.

Manual Tuning

To manually seek a specific station, first press and hold either the up or down **TUNE/TRACK** button until "MANU" appears on the display. Press the up or down **TUNE/TRACK** buttons momentarily to tune two frequency steps at a time.

If no further tuning is performed after five seconds, "AUTO" will appear momentarily on the display and tuning will revert to the original tuning mode.

⑧ Audio Mute (MUT)

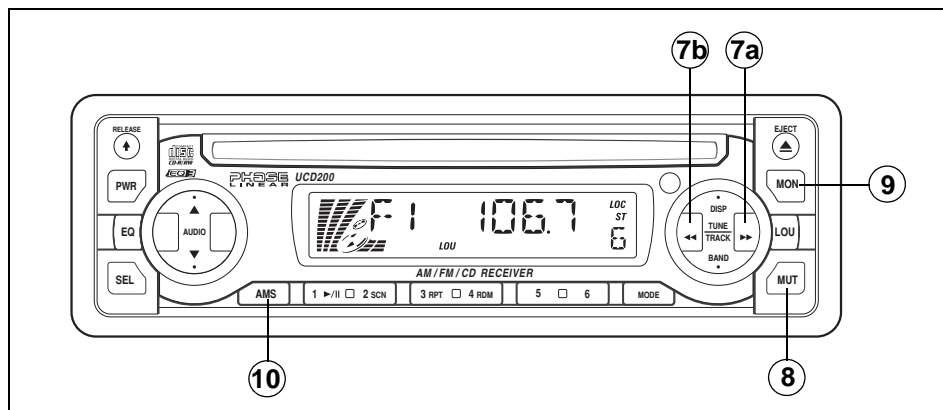
Press the **MUT** button (8) to silence the volume from the system. "MUTE" will appear on the display panel. Press **MUT** again (or activate another function) to return the volume level to the setting that was in use before the Mute function was activated.

⑨ FM Mono Select (MON)

During FM radio operation, the **MON** button (9) is used to select monaural or stereo reception of the broadcast signal. Under normal reception conditions, the unit should be left in the stereo mode (indicated by "ST" when tuned to an FM stereo signal). If the signal is too noisy for comfortable listening, press the **MON** button; the "ST" indication will disappear from the display panel and "MONO" will appear. To return to stereo reception mode, press the button again.

⑩ Auto-Store / Pre-Set Scan Tuning (AMS)

Press the **AMS** button (10) momentarily to scan the 6 stations in the pre-set memory for all FM bands. The unit will stop at each pre-set station for 10 seconds. Press **AMS** again to stop scanning and select the current frequency. Press the **AMS** button for more than 2 seconds to activate the Auto-Store Tuning feature. The radio will automatically scan the band in use and enter strong stations into the pre-set memory positions for that band. Auto-Store will erase any stored stations.



OPERATING INSTRUCTIONS

11 Station Pre-Set Memories

To set any of the 6 pre-set memory buttons, use the following procedure:

1. Turn the unit on and select the desired band.
2. Select the first station to be pre-set using the **TUNE/TRACK** buttons (7a and 7b).
3. Press and hold a pre-set button until you hear a confirmation tone. The pre-set number will appear on the display panel. The station is now stored and can be recalled at any time by momentarily pressing that button.

Repeat the above procedure for the remaining 5 pre-sets for current the band. Six stations can be stored for each of the bands.

12 Equalizer Selector (EQ)

The **EQ** button (12) applies preset sound effects to the unit's audio output signal. When pressed, it will activate one of the following modes: "CLS", "POP", or "ROC". When the Equalizer function is active, the bass and treble levels can still be changed to accommodate the listener's ear. When the **EQ** function is not active, the unit returns to the user-set bass and treble levels.

13 Display Selector (DISP)

This unit can display either the clock time or radio frequency/CD player functions. Press the **DISP** button (13) to display the time for approximately 5 seconds. The correct time-of-day can be set by pressing and holding the **DISP** button. This procedure is explained in the next step.

Setting the Clock

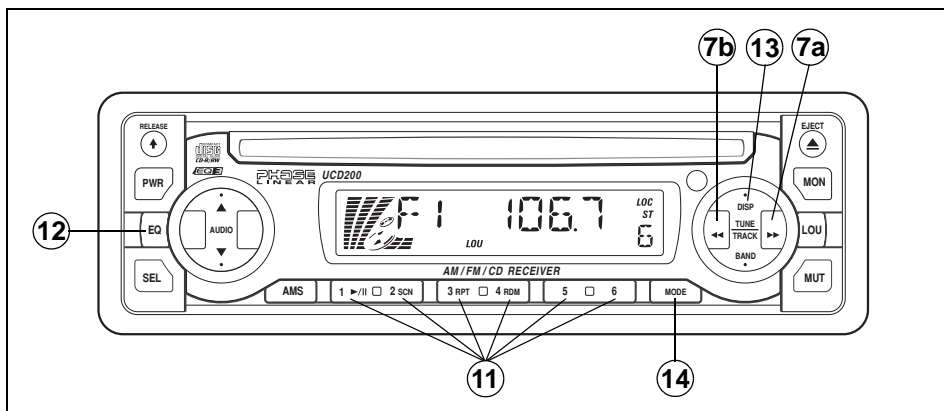
Press and hold the **DISP** button (13) until the clock flashes in the display. Press the **TUNE/TRACK** (<<) button (7b) to adjust the hour and the **TUNE/TRACK** (>>) button (7a) to adjust the

minutes. Press the **DISP** button again to return to radio frequency or disc play.

14 Mode Selector (MODE)

Press the **MODE** button (14) to change between radio and CD player operation. The current mode is indicated on the display panel.

During CD player operation, this button may be used to change to radio without ejecting the disc (the CD icon (📀) will remain on the display to show that a disc is still loaded). Press **MODE** again to return to CD player mode.



CD PLAYER OPERATING INSTRUCTIONS

15 Disc Slot

With the label surface facing up, gently insert the disc into the slot until the soft-loading mechanism engages and disc play begins. "LOAD" will appear momentarily. Once loaded, the () indication will become animated and the track number and elapsed time will appear in the display.

NOTE: The unit is designed for play of standard 5" (12 cm.) compact discs only. Do not attempt to use 3" (8 cm.) CD singles in this unit, either with or without an adaptor, as damage to the player and/or the disc may occur. Such damage will not be covered by the warranty on this product.

7 Track Selector (TUNE/TRACK)

The Track Select functions are used to quickly access the beginning of a particular track. Each time the **TUNE/TRACK** (▶) button (7a) is pressed, the next higher track number is selected, as shown on the display panel. Each time the **TUNE/TRACK** (<◀) button (7b) is pressed, the next lower track number is selected, as shown on the display panel.

7 Cue/Review Functions

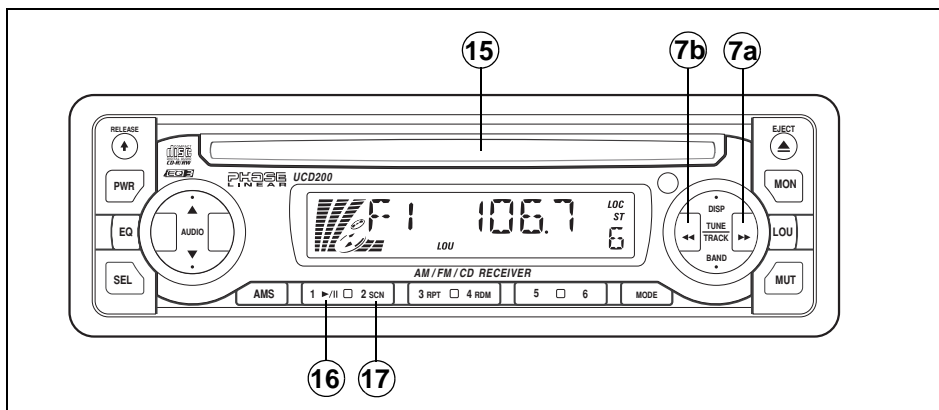
Press and hold the **TUNE/TRACK** (▶) button (7a) to advance rapidly forward or the **TUNE/TRACK** (<◀) button (7b) to advance rapidly backward. During either function, the elapsed time of each track will be shown on the display panel.

16 Disc Play/Pause Select

Press the ▶/|| button (16) to freeze disc play. "PAUS" will appear on the display. Press ▶/|| again to resume disc play and the "PAUS" indication will disappear.

17 Track Scan Select (SCN)

During disc play, press the **SCN** button (17) to play the first 10 seconds of each track. ("SCN" will be displayed with the track number). When a desired track is reached, press the **SCN** button again to cancel the function and play the selected track. Track Scan mode can also be canceled by activating the Repeat Play (18) or Random Play (19) functions.



CD PLAYER OPERATING INSTRUCTIONS

18 Track Repeat Play Select (RPT)

During disc play, press the **RPT** button (18) to repeat play of the selected track ("REPEAT" will appear on the display panel). Play of the track will continue to repeat until **RPT** is pressed again and the "REPEAT" indication disappears from the display panel. Repeat Play mode can also be canceled by activating the Track Scan (17) or Random Play (19) functions.

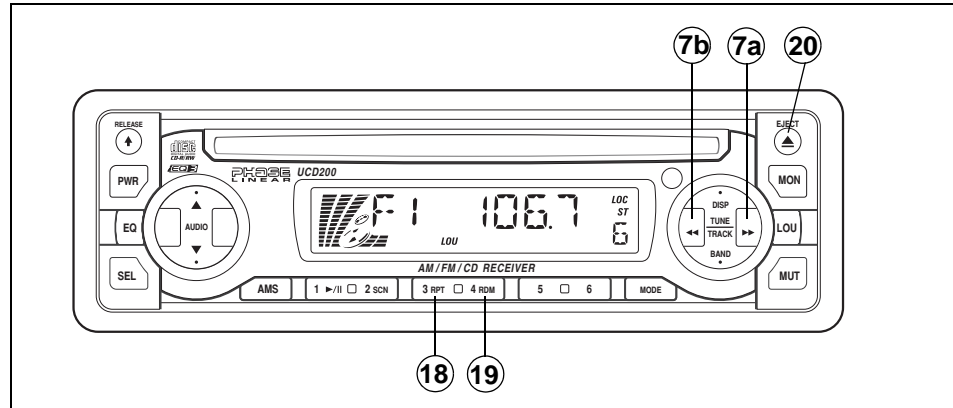
19 Random Play Select (RDM)

During disc play, press the **RDM** button (19) to play the tracks on the disc in a random, shuffled order ("RANDOM" will appear on the display panel). In Random Play mode, you can press the **TUNE/TRACK** buttons (7a and 7b) to select tracks in a random order instead of the normal progression. Press **RDM** again to cancel Random Play mode. Random Play mode can also be canceled by activating the Repeat Play (18) or Track Scan (17) functions.

20 Disc Eject Button

When the disc eject button (20) is pressed, disc play is stopped, the disc is ejected, and the unit will change to radio operation ("EJEC" will briefly appear on the display panel). If the disc is not removed from the unit within 15 seconds, the disc will be re-loaded.

NOTE: To prevent a disc from accidentally being damaged, always remove the disc from the unit when disc play is finished.



CARE AND MAINTENANCE

Your new radio/CD player does not require any maintenance. However, proper understanding of its use and handling will help you obtain maximum enjoyment of its capabilities. We recommend that you keep this manual for reference on the many features of this unit as well as how to set the clock. The following points should be observed:

- When cleaning the interior of the vehicle, do not get water or cleaning fluids on the unit.
- The CD player is a precision instrument and will not operate properly in extreme heat or cold. If such conditions occur, wait until the interior of the vehicle reaches a normal temperature before using the player.
- If the temperature inside the player gets too hot, a protective circuit will automatically stop play of the disc. In this case, allow the unit to cool before operating the player again.
- Never insert anything other than a 5" (12 cm) compact disc into the player as the mechanism can be damaged by foreign objects.
- Do not attempt to use 3" (8 cm) CD-Single discs in this unit, either with or without an adaptor, as damage to the player and/or

disc may occur. Such damage will not be covered by the Warranty on this product.

- When not using the disc player, always remove the compact disc. Do not leave an ejected disc sitting in the disc slot as this can expose it to sunlight and other causes of damage.
- Do not attempt to open the unit chassis. There are no user-serviceable parts or adjustment points inside.
- When the vehicle warms up during cold weather or under damp conditions, condensation may appear on the lens of the disc player. Should this occur, the player will not operate properly until the moisture has evaporated.
- The unit is designed with a vibration dampening CD mechanism to minimize interruption of disc play due to normal vibration. When driving on rough roads, however, occasional sound skips may occur. This will not scratch or damage the disc and normal play will resume when the rough conditions cease.

Handling Compact Discs

Dirt, dust, scratches and warping can cause skips in the playback and deterioration of sound quality. Please follow these guidelines to take care of your compact discs:

- Carefully wipe fingerprints, dust and dirt from the disc's playing surface with a soft cloth. Wipe in a straight motion from the center to the outside of the disc.
- Never use chemicals such as record sprays or household cleaners to clean CDs, as they can irreparably damage the disc's surface.
- Discs should be kept in their storage cases when not in use.
- Do not expose discs to direct sunlight, high temperatures or high humidity for long periods.
- Do not stick paper, tape or labels on disc surfaces.

RESET BUTTON

A Reset button is located behind the faceplate on the left side (the front panel must be removed to access the button). The Reset function is provided to protect the microprocessor circuitry and should only be activated under the following circumstances as it will erase the time and pre-set memories: Upon initial installation after all wiring is completed; If there is a malfunction of any of the switches on the unit, pressing the Reset button may clear the system and return to normal operation.

SPECIFICATIONS

CD-R and CD-RW Capability

Depending on media type and method of "recording/burning", some CD-R/RWs may be incompatible with this unit. After "recording/burning" **the session must be closed**. Please refer to your software's recommended procedures for closing a disc/session. Review your recording software to familiarize yourself with the correct "recording/burning" procedures. We recommend using the latest versions of ROXIO™ or NERO™ burning software. In addition, **this unit will only recognize the CDDA (Compact Disc Digital Audio) format** "recorded/burned" onto a CD-R/RW. This unit does not support .MP3, .WMA, .WAV, .OGG or other formats. The CDDA format is the standard format of an "original store-bought" CD. When recording/burning a CD-R/RW make sure the CDDA format is selected.

Technical Specifications



CEA Power Ratings

Power Output: 13 watts RMS X 4 channels into 4-ohms @ < 1% THD+N
 Signal to Noise Ratio: 70dBA below reference.
 (Reference: 1 watt, 4-ohms)
 Frequency Response: 20Hz to 20kHz, -3dB
 Reference Supply Voltage: 14.4VDC

CD Player

Signal to Noise Ratio: >75dBA
 Frequency Response: 20Hz to 18kHz, -3dB
 Channel Separation: > 55dB @ 1kHz
 D/A converter: 1Bit/Ch

FM Tuner

Tuning Range: 87.5MHz - 107.9MHz
 Mono Sensitivity: 18dBf
 50dB Stereo Quieting Sensitivity: 20dBf
 Stereo Separation @ 1kHz: >30dB
 Frequency Response: 30Hz to 12kHz, -3dB

AM Tuner

Tuning Range: 530kHz - 1710kHz
 Sensitivity @ 20dB Signal to Noise: 30uV
 Frequency Response: 30Hz - 2kHz, -3dB

General

Power Supply: 11 to 16VDC, negative ground
 Fuses: Battery - 15 amp/AGC, Ignition/
 Accessory - 0.5 amp/AGC
 4 + 9 pin quick-connect harness
 Dimensions: 7" X 7" X 2" (178mm x 178mm x 51mm)

Specifications subject to change without notice.

90 DAY LIMITED WARRANTY

AUDIOVOX CORPORATION (the Company) warrants to the original retail purchaser of this product that should this product or any part thereof, under normal use and conditions, be proven defective in material or workmanship within 90 days from the date of original purchase, such defect(s) will be repaired or replaced with new or reconditioned product (at the Company's option) without charge for parts and repair labor. To obtain repair or replacement within the terms of this Warranty, the product is to be delivered with proof of warranty coverage (e.g. dated bill of sale), specification of defect(s), transportation prepaid, to the warranty center at the address shown below.

This Warranty does not extend to the elimination of car static or motor noise, to correction of antenna problems, to costs incurred for installation, removal, or reinstallation of the product, or damage to tapes, compact discs, accessories or vehicle electrical systems. This Warranty does not apply to any product or part thereof which, in the opinion of the Company, has suffered or been damaged through alteration, improper installation, mishandling, misuse, neglect, accident, or by removal or defacement of the factory serial number/bar code label(s) or markings. THE EXTENT OF THE COMPANY'S

LIABILITY UNDER THIS WARRANTY IS LIMITED TO THE REPAIR OR REPLACEMENT PROVIDED ABOVE AND, IN NO EVENT, SHALL THE COMPANY'S LIABILITY EXCEED THE PURCHASE PRICE PAID BY PURCHASER FOR THE PRODUCT. This Warranty is in lieu of all other express warranties or liabilities. ANY IMPLIED WARRANTIES, INCLUDING ANY IMPLIED WARRANTY OF MERCHANTABILITY, SHALL BE LIMITED TO THE DURATION OF THIS WRITTEN WARRANTY. ANY ACTION FOR BREACH OF ANY WARRANTY HEREUNDER INCLUDING ANY IMPLIED WARRANTY OF MERCHANTABILITY MUST BE BROUGHT WITHIN A PERIOD OF 30 MONTHS FROM DATE OF ORIGINAL PURCHASE. IN NO CASE SHALL THE COMPANY BE LIABLE FOR ANY CONSEQUENTIAL OR INCIDENTAL DAMAGES FOR BREACH OF THIS OR ANY OTHER WARRANTY, EXPRESS OR IMPLIED, WHATSOEVER. No person or representative is authorized to assume for the Company any liability other than expressed herein in connection with the sale of this product.

Some states do not allow limitations on how long an implied warranty lasts or the exclusion or limitation of incidental or consequential damage so the above limitations or exclusions

may not apply to you. This Warranty gives you specific legal rights and you may also have other rights which vary from state to state. U.S.A: Audiovox Corporation, 150 Marcus Blvd., Hauppauge, NY 11788, 1-800-323-4815 CANADA: Call 1-800-323-4815 for location of warranty station serving your area.

Audiovox Electronics Corporation
150 Marcus Boulevard
Hauppauge, NY 11788
1-800-323-4815
www.audiovox.com

©2005 Audiovox
v.011405

UCD200

Manual del Usuario

For instructions in English, refer to page 2.

Pour des instructions en Francais, référez-vous à la page 34.

PREPARACIÓN

Comenzando

Es buena idea leer completamente las instrucciones antes de iniciar la instalación.

Contenido

Instrucciones de Instalación	19
Cableado	21
Instalación de la Cubierta Desmontable..	22
Instrucciones de Operación.....	23
Funcionamiento del Lector de CD.....	27
Cuidados y Mantenimiento	29
Especificaciones.....	30
Garantía Limitada de 3 Meses	31

Requisitos para la Instalación

Esta unidad está diseñada para instalarse en autos, camiones y camionetas con abertura para radio preexistente. En muchos casos, se necesitará un equipo de instalación especial para montar el radio al tablero de instrumentos. Estos equipos se consiguen en tiendas de artículos electrónicos o tiendas de estéreos para automóviles. Antes de comprar el equipo, asegúrese de que funcione con su vehículo. Si necesita un equipo de instalación pero no puede conseguirlo, llame a nuestra línea de atención al cliente al 1-800-645-4994 (sólo para U.S.A. y Canadá).

Herramientas y Provisiones

Las siguientes herramientas y provisiones son necesarias para instalar el radio:

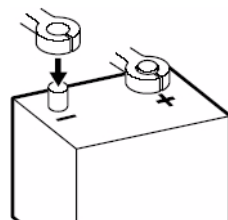
- Llave torx, destornilladores plano y Philips
- Cúter y peladores de cables
- Herramientas para remover la radio existente (destornillador, equipo de llave de casquillo y otras herramientas)
- Cinta aisladora
- Enganchador
- Voltímetro / luz de prueba
- Conexiones para enganchar
- Cable de calibre 18 para conexiones eléctricas, cable de altavoz de calibre 16 a 18

Requerimientos del Altavoz

Solamente conecte los altavoces de carga de impedancia de 4 ohms. Altavoces con una carga de impedancia menor a los 4 ohms pueden dañar la unidad.

Desconecte la Batería

Antes de empezar, siempre desconecte la terminal negativa de la batería.



Asistencia Gratuita en la Instalación

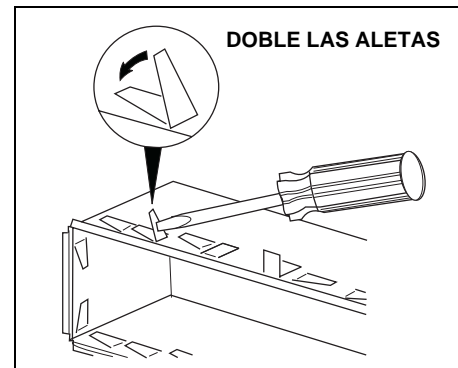
Si requiere asistencia, llame al Soporte Técnico al 1-800-323-4815 de lunes a viernes de 8:30 AM a 7:30 PM tiempo del este y los sábados de 9:00 AM a 5:00 PM tiempo del este (para USA y Canadá solamente.)

INSTRUCCIONES DE INSTALACIÓN

Instalación Utilizando una Manga de Montaje

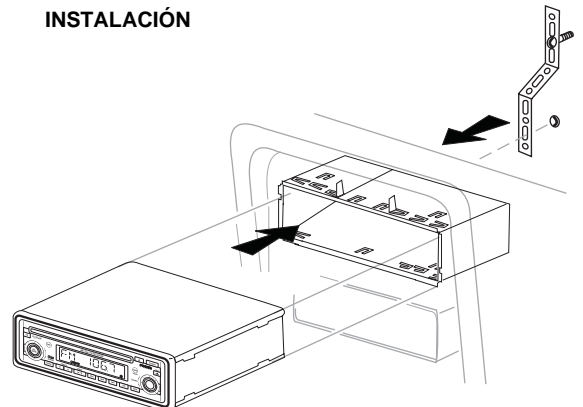
1. Deslice la manga de montaje fuera del chasis. Si está trabada, utilice la herramienta para quitarla (provista).
2. Verifique el tamaño de apertura del tablero deslizando la manga de montaje adentro del mismo. Si la apertura no es lo suficientemente grande, cuidadosamente córtela o límela hasta que la manga se deslice hacia adentro sin dificultad. No fuerce la manga al introducirla en la apertura ni provoque que se doble. Verifique si hay suficiente espacio detrás del tablero para el chasis del radio.
3. Localice la serie de lengüetas para doblar en la parte superior, inferior y costados de la manga de montaje. Con la manga completamente insertada en la apertura del tablero, doble hacia afuera todas las lengüetas que sean necesarias para que quede sujeta firmemente al tablero.
4. Ubique el radio en frente de la apertura del tablero de manera tal que los cables puedan pasar por la manga de montaje. Siga el diagrama de cableado detalladamente y asegúrese de que todas las conexiones estén seguras y aisladas con tuercas para cables y cinta aisladora para asegurar el apropiado funcionamiento de la unidad. Luego de completar las conexiones del cableado, encienda la unidad para confirmar la operación (la ignición del vehículo debe estar encendida). Si la unidad no opera, verifique nuevamente todas las conexiones de cables hasta que se solucione el problema.

5. Asegúrese de que el radio tenga el lado correspondiente hacia arriba, luego cuidadosamente deslícelo dentro de la manga de montar hasta que esté completamente asentado y las presillas lo traben en su lugar.
6. Fije un extremo de la cinta de soporte perforada (provista) al perno en la parte trasera del chasis utilizando la tuerca hexagonal suministrada. Asegure el otro extremo de la cinta perforada a una parte firme del tablero, ya sea arriba o abajo del radio, utilizando el tornillo provisto. Doble la cinta hasta colocarla en la posición adecuada.
7. Verifique la operación del radio leyendo las Instrucciones de Operación.



CUIDADO: La cinta de soporte se debe utilizar para prevenir daños al tablero debido al peso del radio o una inadecuada operación causada por vibraciones.

CUIDADO: Para una correcta operación del equipo de CD, el chasis debe estar montado dentro de los 20° de horizontalidad. Asegúrese de que la unidad esté montada dentro de este límite.



INSTRUCCIONES DE INSTALACIÓN

Equipo de Instalación

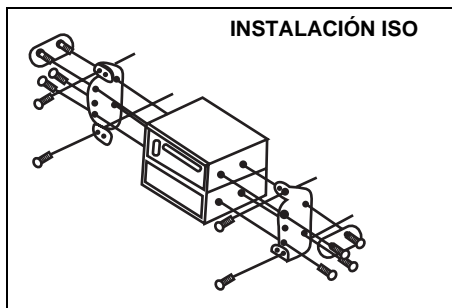
Si su vehículo requiere el uso de un equipo de instalación par amontar este radio, siga las instrucciones incluidas con el equipo de instalación para adherir el radio al plato de montaje provisto en el equipo.

1. Conecte el cable y verifique el radio como se determina en las instrucciones de Instalación Universal.
2. Instale el radio o el ensamblaje del plato de montaje al segundo tablero, de acuerdo a las instrucciones en el equipo de instalación.
3. Adjunte la cinta de soporte al radio y al tablero como se describe en las instrucciones de Instalación Universal.
4. Reemplace el panel de ajuste del tablero.

Instalación ISO

Esta unidad tiene agujeros roscados en los paneles laterales de chasis que pueden utilizarse con las ménsulas de montar originales de fábrica que vienen con algunos vehículos para motar el radio al tablero. Por favor, consulte en su tienda local de estéreos de automóviles si necesita asistencia en este tipo de instalación.

1. Quite del tablero el radio existente de fábrica o centre la consola de montaje.



Guarde todos los elementos y ménsulas pues serán utilizados para montar el nuevo radio.

2. Con cuidado destrabe el marco plástico del frente del chasis del nuevo radio. Quite y deseche el marco.
3. Quite las ménsulas y elementos de montaje que vienen de fábrica con el radio existente y adhiéralos al nuevo radio.

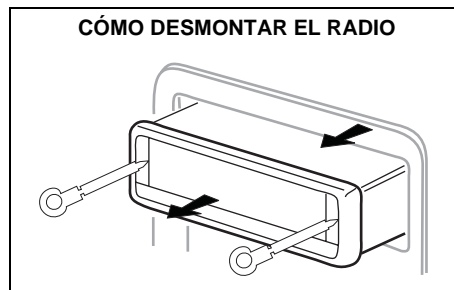
NOTA: No exceda el tamaño de tornillo de M5 x 9MM. Tornillos más largos pueden tocar y dañar componentes dentro del chasis.

4. Conecte los cables del nuevo radio al vehículo como se especifica en las

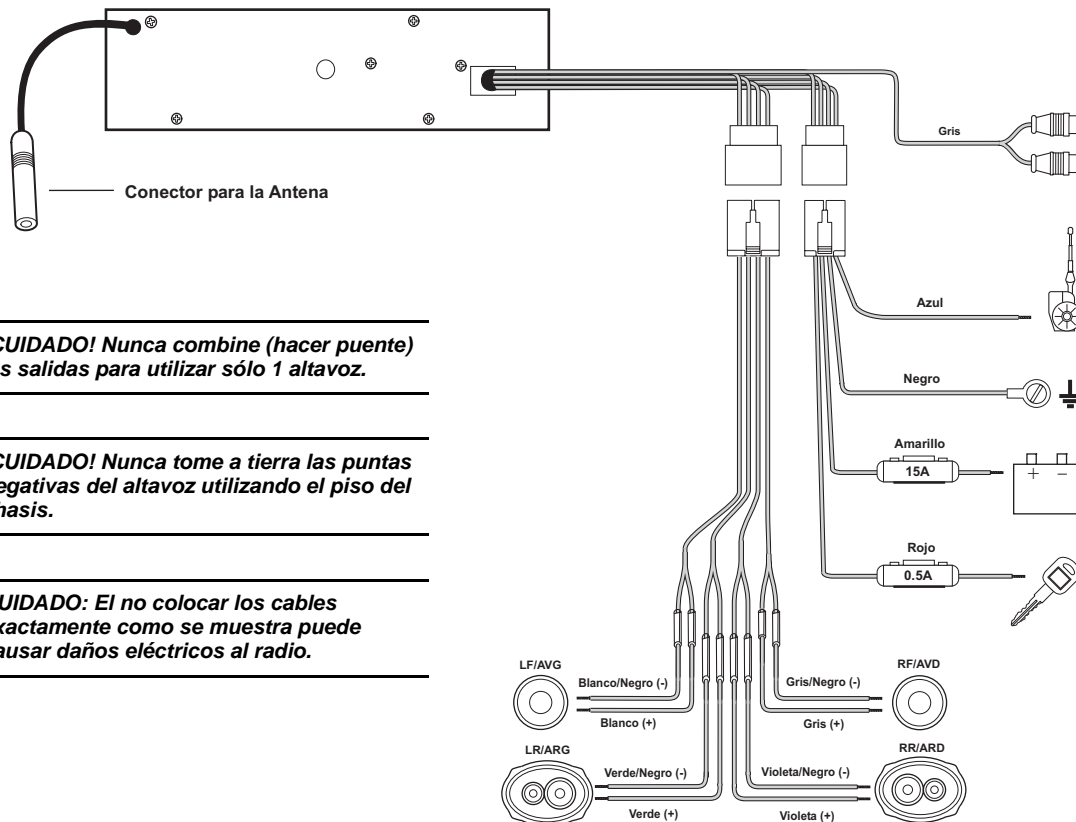
instrucciones de Instalación Universal. Monte el ensamblaje del nuevo radio al tablero o a la consola central utilizando el procedimiento reverso al paso 1.

Cómo Desmontar el Radio

Inserte la(s) herramienta(s). Hale el radio hacia afuera. Desconecte el arnés del cableado, y quite el radio.



CABLEADO



¡CUIDADO! Nunca combine (hacer puente) las salidas para utilizar sólo 1 altavoz.

¡CUIDADO! Nunca tome a tierra las puntas negativas del altavoz utilizando el piso del chasis.

CUIDADO: El no colocar los cables exactamente como se muestra puede causar daños eléctricos al radio.

Conexión del Amplificador

Conecte la línea de salida para una amplificación externa óptima. El conector rojo es para la derecha y el blanco para la izquierda.

Alimentación Antena

Conectar a la antena o al amplificador. Si no se utilizara el cable, se debe recubrir la punta del cable.

Conexión a Tierra

Conectar a la terminal de tierra.

Memoria/Batería

Conectar a la batería o a la fuente de energía de 12 voltios que está siempre viva. La radio no funcionará si este cable no está conectado.

Accesorio/Ignición

Conectar al cable de la radio o al fusible de la radio.

Fusibles

Quando reemplace un fusible asegúrese que el fusible nuevo sea del tipo correcto y tenga el amperaje adecuado. Si utiliza un fusible incorrecto.

INSTALACIÓN DE LA CUBIERTA DESMONTABLE

Instalación de la Cubierta

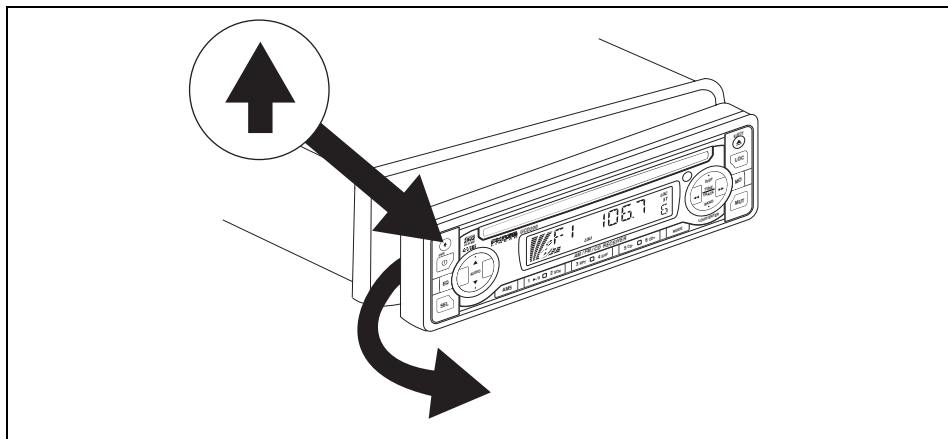
Para instalar la cubierta desmontable, deslice el borde izquierdo del panel delantero dentro del radio, luego suavemente presione el lado derecho hasta trabarlo.

Desprendimiento de la Cubierta

Para quitar la cubierta, presione el botón ↑, y jale suavemente del lado derecho del panel. Por seguridad, mantenga el panel delantero en la caja de protección suministrada.

Precauciones al Manipular

- Asegúrese de que el panel delantero tenga el lado correspondiente hacia arriba cuando lo adhiera al chasis, dado que no puede ser adherido si está al revés.
- No presione con fuerza el panel delantero cuando lo adhiera al chasis. No es necesaria más que una presión moderada.
- Cuando adhiera el panel delantero, asegúrese que esté centrado en el marco del chasis y que lo está presionando justo en su lugar.
- No deje caer el panel delantero.
- No presione la pantalla o los botones de control cuando manipule el panel delantero.
- No toque los contactos del panel delantero o de la unidad principal.



- Quite la suciedad o sustancias externas solamente con una tela limpia y seca.
- No exponga el panel delantero a temperaturas extremas o al sol.
- Mantenga agentes volátiles tales como bencina, solvente o insecticidas lejos del panel delantero.
- No desarme el panel delantero.
- Cuando lleve el panel delantero con usted, por favor utilice la caja suministrada para protegerlo de daños o suciedades.
- Asegúrese de que no haya polvo o suciedad en las terminales eléctricas de la parte

trazera del panel, pues esto puede causar operación intermitente u otro tipo de mal funcionamiento.

NOTA: Ubicado en el chasis, detrás del panel delantero, un diodo emisor de luz (LED) centellará cuando se quite el panel. La luz destellante sirve, en caso de posibles robos, como advertencia visual de que la unidad ha sido deshabilitada al quitársele el panel delantero.

INSTRUCCIONES DE OPERACIÓN

① Botón de Encendido / Apagado (PWR)

Presione el botón **PWR** (1) para encender o apagar la unidad cuando el vehículo esté en marcha. Cuando la unidad está apagada, automáticamente aparece el reloj en el Panel de Cristal Líquido (LCD por sus siglas en inglés), a menos que la ignición esté apagada. Si el radio está apagado cuando se apaga la ignición del vehículo, al encender nuevamente la ignición se debe presionar el botón **PWR** para encender el radio. Si el radio está encendido cuando la ignición se apaga, cuando se encienda la ignición nuevamente el radio se encenderá automáticamente.

② Panel con Pantalla de Cristal Líquido

El panel con Pantalla de Cristal Líquido (LCD) exhibe la frecuencia, hora y todas las funciones activas, incluyendo un gráfico de 5 barras que representa el nivel de señal.

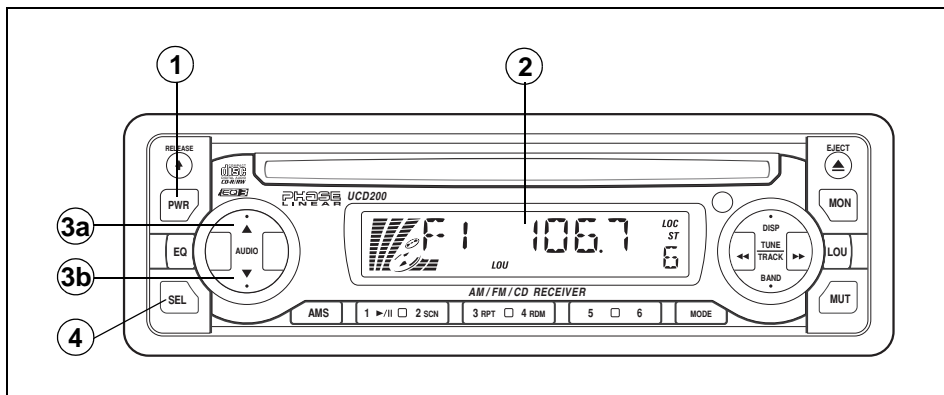
NOTA: Es una característica de los paneles LCD que al ser sometidos a bajas temperaturas por periodos de tiempo prolongados, pueden necesitar más tiempo para iluminarse que bajo condiciones normales. Además, puede bajar levemente la visibilidad de los números en el LCD. La visibilidad del LCD volverá a ser normal cuando la temperatura dentro del vehículo suba a un rango normal.

③ Control de Volumen (AUDIO)

Para subir el nivel de volumen presione el botón de **AUDIO ▲** (3a), para bajar el nivel de volumen presione el botón de **AUDIO ▼** (3b). El volumen aumentará o bajará y el nivel aparecerá en la pantalla del panel desde un mínimo de "V 00" a un máximo de "V 46". Mantenga el botón presionado para incrementar o disminuir el volumen rápidamente. La pantalla automáticamente volverá a lo que exhibe regularmente 5 segundos después del último ajuste de volumen o cuando se active otra función. Estos controles también se utilizan en conjunto con el botón **SEL** (4) para ajustar los niveles de sonidos graves (bass), agudos (treble), balance izquierdo-derecho (balance) y balance delantero-trasero (fader).

④ Botón de Selección (SEL)

El botón **SEL** se utiliza para seleccionar la función de audio (volumen, graves, agudos, balance delantero-trasero e izquierdo-derecho) que se ajustará utilizando los botones de **AUDIO** (3a y 3b). Presione el botón **SEL** (4) una vez para ajustar el volumen de la unidad ("V" aparecerá en la pantalla). Presione el botón sucesivas veces para seleccionar ajuste de graves ("BASS" aparecerá en pantalla), agudos (TRE), balance izquierdo-derecho (BAL), balance delantero-trasero (FAD) y volumen (VOL) nuevamente. La pantalla volverá a lo que exhibe regularmente 5 segundos después del último ajuste de volumen o cuando se active otra función.



INSTRUCCIONES DE OPERACIÓN

4 Control de Graves

Para ajustar el nivel de sonidos graves, primero seleccione el modo de Control de Graves presionando el botón **SEL** (4) hasta que "BA" aparezca en pantalla. Dentro de los cinco segundos siguientes, presione los botones de **AUDIO** (3a y 3b) para ajustar la respuesta de graves desde un mínimo de "B--7" hasta un máximo de "B 7" ("B 0" representa una respuesta neutra).

4 Control de Agudos

Para ajustar el nivel de agudos, presione el botón **SEL** (4) hasta que "TR" aparezca en la pantalla del panel. Dentro de los cinco segundos siguientes, presione los botones de **AUDIO** (3a y 3b) para ajustar los sonidos agudos desde un mínimo de "TR -7" hasta un máximo de "TR 7". "TR 0" representa un sonido neutro.

4 Control de Balance Izquierdo-Derecho

Para ajustar el balance izquierdo-derecho del altavoz, presione el botón **SEL** (4) hasta que la indicación "B" aparezca en pantalla (si no están en un balance equilibrado, aparecerá "BL" (izquierda) o "BR" (derecha) seguido por el nivel de balance). Dentro de los cinco segundos siguientes, presione los botones de **AUDIO** (3a y 3b) para ajustar el balance entre los altavoces izquierdo y derecho desde "BL15" (completamente a la izquierda) hasta "BR15" (completamente a la derecha). "B 00" representa un balance equilibrado entre los altavoces derecho e izquierdo.

4 Control de Balance Delantero/Trasero

Para ajustar el balance delantero-trasero del altavoz, presione el botón **SEL** (4) hasta que "F" aparezca en la pantalla del panel. Dentro de los cinco segundos siguientes, presione los botones de **AUDIO** (3a y 3b) para ajustar el balance entre los altavoces delanteros y traseros desde "FR 15" (completamente atrás) hasta "FF 15" (completamente adelante). "F 00" representa un balance equilibrado entre los altavoces delanteros y traseros.

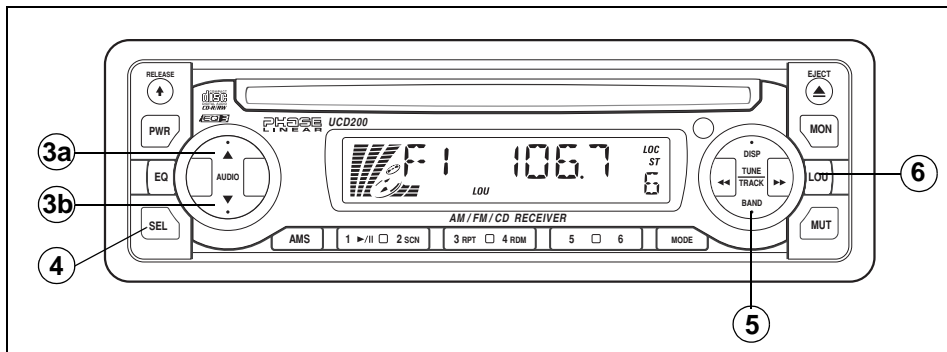
5 Selector de Banda AM/FM (BAND)

Durante la operación del radio, cada vez que se presione el botón **BAND** (5), la banda del radio cambia. Los indicadores "AM 1", "AM 2", "FM 1",

"FM 2", o "FM 3" aparecerán en pantalla de acuerdo a lo que seleccione.

6 Control de Sonoridad (LOU)

Cuando escuche música en niveles de volumen bajo, esta función potenciará los rangos graves y agudos realizar una compensación debido a las características del oído humano. Presione el botón **LOU** (6) para activar esta función, un pitido indicará la activación y "LOUD" aparecerá en pantalla (la indicación "LOUD" permanecerá en pantalla.) Si presiona nuevamente el botón hará sonar un pitido y "LOUD" desaparecerá de la pantalla.



INSTRUCCIONES DE OPERACIÓN

7 Control de Sintonía

Búsqueda de Sintonía

Presione el botón de sintonía/pista (**TUNE/ TRACK ▶>**, 7a) para sintonizar la estación más arriba, o el botón de sintonía/pista (**TUNE/ TRACK <<**, 7b) para sintonizar la estación más abajo. El radio buscará la siguiente estación con señal fuerte y se detendrá ahí.

Sintonía Manual

Para buscar una estación manualmente, primero presione el botón de sintonía/pista (**TUNE/TRACK**) hacia arriba o hacia abajo por más de 2 segundos hasta que "MANU" aparezca en pantalla. Presione los botones de sintonía/pista (**TUNE/TRACK**) momentáneamente para sintonizar cada dos lugares de frecuencia por vez. Si no se realiza una nueva sintonía, luego de cinco segundos "AUTO" aparecerá momentáneamente en pantalla y la sintonía volverá al modo de sintonía original.

8 Audio Mudo (MUT)

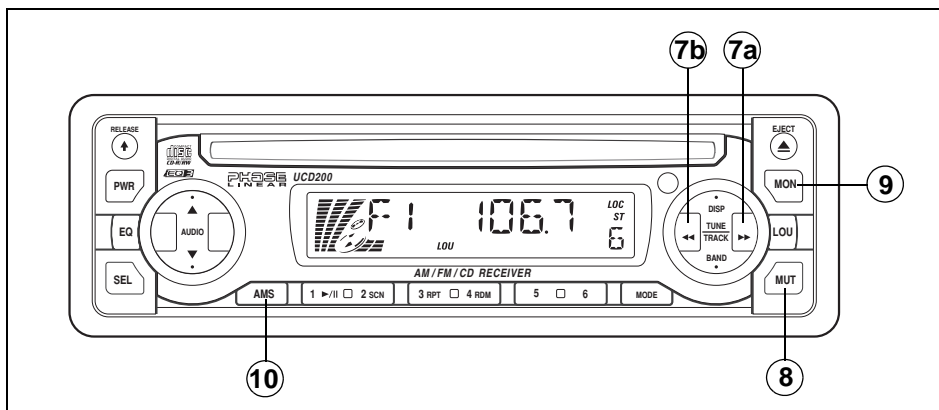
Presione el botón **MUT** (8) para silenciar el volumen del sistema. En pantalla aparecerá "MUTE". Presione nuevamente **MUT** (o active otra función) para volver al nivel de volumen en uso antes de que se active la función de audio mudo.

9 Selección de FM Mono (MON)

El botón **MON** (9) se utiliza para seleccionar recepción monoaural o estéreo de la señal de transmisión durante la operación de radios FM. Bajo condiciones normales de recepción, la unidad se debe dejar en modo estéreo (indicado por "ST" cuando se sintoniza una señal FM en estéreo). Si la señal es muy ruidosa, para lograr una recepción cómoda presione el botón **MON**. La indicación "ST" desaparecerá de la pantalla y aparecerá "MONO". Para volver a recepción estéreo, presione nuevamente este botón.

10 Sintonía con Almacenaje Automático / Exploración de Memorias Almacenadas (AMS)

Presione el botón **AMS** (10) momentáneamente para explorar las 6 estaciones almacenadas en la memoria en todas las bandas FM. La unidad se detendrá en cada estación por 10 segundos. Presione nuevamente **AMS** para detener la exploración y seleccionar la frecuencia actual. Presione el botón **AMS** por más de 2 segundos para activar la función de Sintonía con Almacenaje Automático. El radio automáticamente buscará en la banda en uso y guardará en las posiciones de la memoria las estaciones potentes.



INSTRUCCIONES DE OPERACIÓN

11 Memorias para Almacenar Estaciones de Radio

Para configurar cualquiera de los 6 botones de memoria, utilice el siguiente procedimiento:

1. Encienda la unidad y seleccione la banda deseada.
2. Seleccione la primer estación que desee almacenar utilizando los botones de sintonía/pista **TUNE/TRACK** (7a y 7b).
3. Presione y mantenga presionado el botón con el que se almacenará en memoria hasta que escuche un tono de confirmación. El número de la memoria aparecerá en pantalla. La estación quedará guardada y usted puede acceder a ella en cualquier momento presionando el botón asociado.

Repita el procedimiento explicado con las 5 memorias restantes de esa banda. Se pueden almacenar seis estaciones en cada una de las bandas.

12 Selector de Ecuilizador (EQ)

El botón **EQ** (12) aplica efectos de sonido preseleccionados a la señal de salida de audio de la unidad. Cuando se presione, activará uno de los siguientes modos: "CLS", "POP" o "ROC". Cuando la función de Ecuilización está activa, los niveles graves y agudos aún se pueden cambiar para acomodar al oído del usuario. Cuando la función de ecualización no está activa, la unidad va a retornar a los niveles graves y agudos seleccionados por le usuario.

13 Selector de Visualización (DISP)

Esta unidad puede exhibir ya sea el reloj o la frecuencia del radio y las funciones de reproducción de CD. Presione el botón **DISP** (13) para exhibir la hora por aproximadamente 5 segundos. La hora correcta se puede fijar manteniendo presionado el botón **DISP**. Se explicará este procedimiento en el próximo paso.

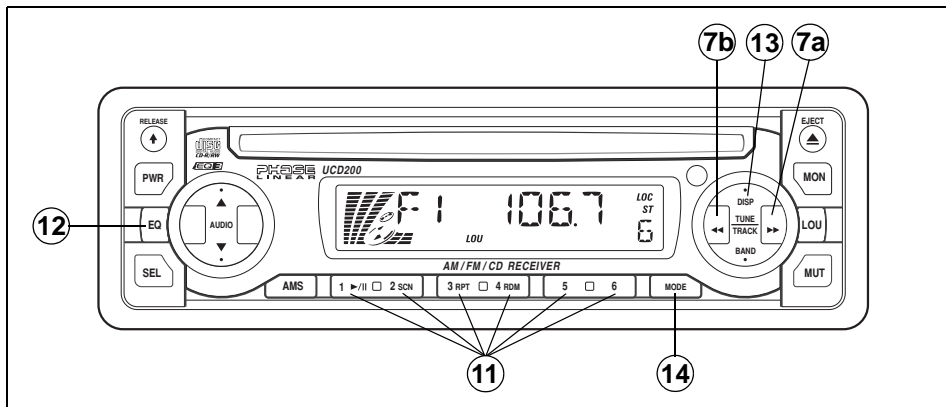
Poniendo en Hora el Reloj

Mantenga presionado el botón **DISP** (13) hasta que el reloj destelle en la pantalla. Presione el botón de sintonía/pista (**TUNE/TRACK <<**, 7b) para ajustar la hora y el botón de sintonía/pista (**TUNE/TRACK >>**, 7a) para ajustar los minutos. Presione el botón **DISP** nuevamente para volver a radio o reproducción de disco.

14 Selector de Modo (MODE)

Presione el botón de **MODE** (14) para cambiar entre operación de radio y reproducción de CD. El modo en uso se indica en pantalla.

Durante la operación del reproductor de CD, este botón se puede utilizar para cambiar a radio sin expulsar el disco (el icono de CD (🌀) permanecerá en pantalla para mostrar que el disco está aún adentro). Presione nuevamente **MODE** para volver a modo de reproducción de CD.



FUNCIONAMIENTO DEL LECTOR DE CD

15 Ranura para Disco

Suavemente inserte el disco con el sello hacia arriba en la ranura hasta que el mecanismo suavemente lo enganche y la reproducción del disco comience. "LOAD" aparecerá momentáneamente. Una vez que esté adentro, la indicación de disco (🌀) se moverá y el número de pista y tiempo de reproducción aparecerán en pantalla.

NOTA: La unidad está diseñada para pasar discos compactos estándar de 5" solamente (12 cm.). No intente utilizar CD simples de 3" (8 cm.) en esta unidad, con o sin adaptador, pues puede causar daños en el equipo y/o en el disco. Tales daños no serán cubiertos por la garantía de este producto.

7 Selector de Pista (TUNE/ TRACK)

La función del Selector de Pista se utiliza para acceder rápidamente al inicio de una pista en particular. Cada vez que el botón (▶▶) de sintonía/pista (TUNE/TRACK, 7a) se oprime, el número de la pista siguiente se selecciona y se muestra en pantalla. Cada vez que el botón (<<) de sintonía/pista (TUNE/TRACK, 7b) se oprime, el número de la pista anterior se selecciona y se muestra en pantalla.

7 Funciones de Avance y Retroceso

Mantenga presionado el botón de sintonía/pista (▶▶) (TUNE/TRACK, 7a) para avanzar rápidamente o el botón de sintonía/pista (<<) (TUNE/TRACK, 7b) para retroceder rápidamente. Durante cualquiera de las dos funciones el tiempo transcurrido de cada pista se mostrará en pantalla.

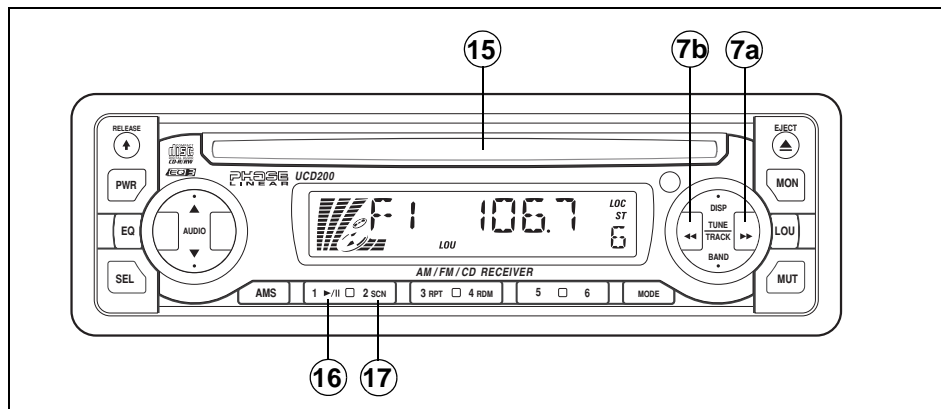
16 Selección de Reproducción de Disco/Pausa

Presione el botón de pausa (▶/II, 16) para detener la ejecución del disco. En pantalla aparecerá "PAUS". Presione nuevamente ▶/II para reanudar

la reproducción del disco. La indicación "PAUS" desaparecerá.

17 Selector de Exploración de Pistas (SCN)

Durante la ejecución de un disco, presione el botón SCN (17) para reproducir los primeros 10 segundos de cada pista ("SCN" y el número de pista aparecerán en pantalla). Cuando se alcance la pista deseada, presione SCN nuevamente para cancelar la función y reproducir esa pista. El modo de Exploración de Pistas también se puede cancelar activando las funciones de Repetición (18) o de Reproducción Aleatoria (19).



FUNCIONAMIENTO DEL LECTOR DE CD

18 Selector de Repetición (RPT)

Durante la reproducción de un disco, presione el botón **RPT** (18) para repetir la pista seleccionada ("REPEAT" aparecerá en pantalla). La repetición de esa pista continuará hasta que se presione nuevamente el botón **RPT** y la indicación de "REPEAT" desaparezca de pantalla. El modo de Repetición de Pista también se puede cancelar activando las funciones de Exploración de Pistas (17) o de Reproducción Aleatoria (19).

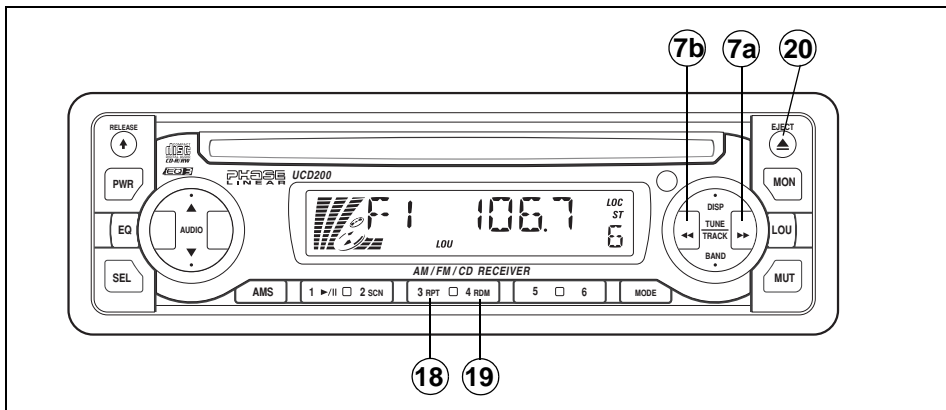
19 Selector de Reproducción Aleatoria (RDM)

Durante la reproducción de disco, presione el botón **RDM** (19) para reproducir las pistas de forma aleatoria o desordenada ("RANDOM" aparecerá en pantalla). En modo de Reproducción Aleatoria, usted puede presionar los botones de sintonía/pista (**TUNE/TRACK**, 7a y 7b) para seleccionar pistas en orden aleatorio en vez de en una progresión normal. Presione nuevamente **RDM** para cancelar el modo de Reproducción Aleatoria. El modo de Reproducción Aleatoria también se puede cancelar activando las funciones de Repetición (18) o de Exploración de Pistas (17).

20 Botón de Expulsión de Disco

Cuando se presiona el botón de expulsión de disco (20), la reproducción del disco se detiene, se expulsa el disco y la unidad cambia a operación de radio ("EJEC" aparece brevemente en pantalla). Si el disco no se quita de la unidad dentro de los 15 segundos siguientes, el disco será cargado nuevamente dentro de la unidad.

NOTA: Para prevenir el daño accidental de un disco, siempre quítelo de la unidad cuando finalice la reproducción del mismo.



CUIDADOS Y MANTENIMIENTO

Su nuevo reproductor de radio/CD no requiere mantenimiento. Sin embargo, el entender cómo se lo utiliza y mantiene adecuadamente le ayudará a sacar el máximo provecho de sus capacidades. Recomendamos que conserve este manual para utilizarlo como referencia sobre las funciones de esta unidad así como también la manera en poner en hora el reloj. Se deben respetar los siguientes puntos:

- Cuando limpie el interior del vehículo, no utilice agua o líquidos de limpieza sobre la unidad.
- El reproductor de CD es un instrumento de precisión y no funcionará adecuadamente bajo calor o frío extremos. Si tales condiciones se dan, espere hasta que el interior del vehículo alcance una temperatura normal antes de utilizar el reproductor.
- Si la temperatura dentro del reproductor llega a ser muy caliente, un circuito de protección automáticamente detendrá la ejecución del disco. En este caso, deje que la unidad se enfríe antes de utilizar nuevamente el reproductor.
- Nunca inserte nada que no sea un disco compacto de 5" (12 cm) dentro del reproductor, pues el mecanismo puede ser dañado por objetos extraños.
- No intente utilizar un CD simple de 3" (8 cm.) en esta unidad, con o sin adaptador, pues puede causar daños en el equipo y/o en el disco. Tales daños no serán cubiertos por la garantía de este producto.

- Cuando no utilice el reproductor, quite el disco compacto. Nunca deje un disco expulsado en la ranura de discos, pues quedaría expuesto a luz solar y a otros posibles daños.
- No intente abrir el chasis de la unidad. No hay partes aprovechables por el usuario o puntos para ajustar por adentro.
- Cuando el vehículo se calienta durante clima frío o bajo condiciones de humedad, puede aparecer condensación en los lentes del reproductor de discos. Si esto ocurre, el reproductor no operará apropiadamente hasta que la humedad se haya evaporado.
- La unidad posee un mecanismo de amortiguación de vibraciones para minimizar la interrupción de la ejecución del disco debido a la vibración normal de un vehículo en movimiento. Sin embargo, cuando esté conduciendo en caminos en malas condiciones, es posible que algunos sonidos se escapen. Esto no rayará o dañará el disco y cuando las malas condiciones del camino cesen, volverá a sonar el disco normalmente.

Manipulando Discos Compactos

Suciedad, polvo, rayas o combas pueden causar saltos en la reproducción y deterioro de la calidad del sonido. Por favor, siga estos lineamientos para cuidar de sus discos compactos:

- Con cuidado limpie con un paño suave huellas digitales, polvo y suciedad de las superficies del disco. Realice un movimiento recto desde el centro al exterior del disco.
- Nunca utilice químicos tales como vaporizadores para discos o limpiadores del hogar para limpiar CD, pues pueden dañar la superficie del disco irreparablemente.
- Los discos se deben guardar en sus cajas cuando no están en uso.
- No exponga discos a la luz directa del sol, a altas temperaturas o a condiciones de alta humedad por periodos prolongados.
- No pegue papel, cinta o etiquetas en las superficies de los discos.

BOTÓN DE REINICIAR (RESET)

Un botón para reiniciar se encuentra detrás de la cubierta, en el lado izquierdo (el panel delantero se debe quitar para acceder al botón). La función de Reinicio (reset) se provee para pretejer el circuito del microprocesador. Debido a que activarla borrará la hora y las memorias configuradas previamente, solamente se debe utilizar bajo las siguientes circunstancias: Luego de la instalación inicial, después de que todo el cableado se haya realizado; Si hay un mal funcionamiento de cualquiera de los interruptores de la unidad. El presionar el botón de Reinicio puede limpiar el sistema y regresarlo a un funcionamiento normal.

ESPECIFICACIONES

Dependiendo del tipo de medio y método de grabación, algunos CD-R/RW pueden ser incompatibles con esta unidad. Luego de grabar el CD, **se debe cerrar la sesión**. Por favor, siga los procedimientos recomendados por su programa de grabación para cerrar un disco. Revise su programa de grabación para familiarizarse con los procedimientos correctos de grabación de CD. Recomendamos utilizar las últimas versiones de los programas para grabar discos compactos ROXIO™ o NERO™.

Además, esta unidad solamente reconocerá el formato **CDDA (Audio Digital de Disco Compacto) grabado en un CD-R/RW**. Esta unidad no lee .MP3, .WMA, .WAV, .OGG u otros formatos. El formato CDDA es un formato estándar de un CD "original comprado en una tienda". Cuando grabe un CD-R/RW, asegúrese de seleccionar el formato CDDA.

Especificaciones Técnicas



Categorías de Energía CEA

Salida de Energía: Canales 13 watts RMS X4 en 4-ohms en < 1% THD+N
 Señal a Coeficiente de Ruido: 70dBA bajo referencia. (Referencia: 1 watt, 4-ohms)
 Frecuencia de Respuesta 20Hz a 20kHz, -3dB
 Voltaje de Suministro de Referencia: 14.4VDC

Reproductor de CD

Señal a Coeficiente de Ruido: >75dBA
 Frecuencia de Respuesta 20Hz a 18kHz, -3dB
 Separación de Canal: > 55dB en 1kHz
 Convertidor D/A: 1Bit/Ch

Sintonizador FM

Rango de Sintonía: 87.5MHz - 107.9MHz
 Sensibilidad Monoaural: 18dBf
 Sensibilidad de Silenciamiento Estéreo de 50dB: 20dBf
 Separación de Estéreo en 1kHz >30dB

Frecuencia de Respuesta 30Hz a 12kHz, -3dB

Sintonizador AM

Rango de Sintonía: 530kHz -1710kHz
 Sensibilidad en 20dB Señal a Ruido: 30uV
 Frecuencia de Respuesta 30Hz-2kHz, -3dB

General

Alimentación: 11 a 16VDC, negativo a tierra
 Fusibles: Batería - 15 amp/AGC, Ignición/
 Accesorio - 0.5 amp/AGC
 Arnés de conexión rápida de pin 4 + 9
 Dimensiones: 7" X 7" X 2" (178mm x 178mm x 51mm)
 Especificaciones sujetas a cambios sin notificación.

Les spécifications peuvent changer sans avis préalable.

GARANTIA LIMITADE DE 3 MESES

AUDIOVOX CORPORATION (la Compañía) garantiza al comprador minorista original del presente producto que en el caso de que este producto o cualquiera de las partes del mismo, bajo circunstancias y condiciones de uso normal, tuviera algún defecto, tanto en el material como en la mano de obra, dentro de un plazo de 3 meses a partir de la fecha de compra original, dicho(s) defecto(s) serán reparados o reemplazados (a criterio de la Compañía) sin cargo alguno por las piezas y la mano de obra para la reparación. Para obtener servicios de reparación o sustitución en virtud de los términos y las condiciones de la presente Garantía, se enviará el producto con la correspondiente constancia de la garantía (es decir, la factura con la fecha de compra), especificando los defectos, con flete prepagado, a algún sitio de servicios bajo garantía autorizado o a la Compañía a la dirección que se indica a continuación.

Esta Garantía no cubre la eliminación de la estática del automóvil ni los ruidos del motor, la corrección de los problemas de antena, los gastos incurridos para la remoción o la reinstalación del producto, o los daños provocados a las cintas, los discos compactos, los accesorios o los sistemas eléctricos del vehículo. Esta Garantía no se aplica a aquellos productos, o partes de los mismos, que según opinión de la Compañía, hayan sufrido algún daño o fue dañado como consecuencia de alguna alteración, instalación incorrecta, maltrato, uso indebido, negligencia, accidente o por la

eliminación o mutilación de las etiquetas correspondientes al número de serie y código de barras de la fábrica. LA RESPONSABILIDAD QUE LA COMPAÑÍA ASUME EN VIRTUD DE LA PRESENTE GARANTIA SE LIMITA A LA REPARACION O LA SUSTITUCION QUE SE MENCIONAN ANTES Y, BAJO NINGUNA CIRCUNSTANCIA, LA RESPONSABILIDAD DE LA COMPAÑÍA HABRA DE EXCEDER EL PRECIO DE COMPRA QUE EL COMPRADOR PAGO POR EL PRODUCTO.

Esta Garantía reemplaza a toda otra garantía expresa o implícita. TODA GARANTIA IMPLICITA, INCLUYENDO AQUELLAS GARANTIAS IMPLICITAS DE BUENA CALIDAD Y COMERCIALIZABILIDAD, ESTARA LIMITADA A LA DURACION DE ESTA GARANTIA ESCRITA. CUALQUIER TIPO DE DEMANDA JUDICIAL POR INCUMPLIMIENTO DE ALGUNAS DE LAS CONDICIONES DE LA GARANTIA ESPECIFICADA EN EL PRESENTE, INCLUIDA CUALQUIER GARANTIA IMPLICITA DE BUENA CALIDAD Y COMERCIALIZABILIDAD, DEBERA PRESENTARSE EN EL PLAZO DE 30 MESES A PARTIR DE LA FECHA DE LA COMPRA ORIGINAL. DE NINGUN MODO LA COMPAÑÍA TENDRA RESPONSABILIDAD ALGUNA POR CUALQUIER DAÑO O PERJUICIO INDIRECTO O INCIDENTAL OCASIONADO POR EL INCUMPLIMIENTO DE LA PRESENTE GARANTIA, O DE CUALQUIER OTRA GARANTIA EXPRESA O IMPLICITA. Ninguna

persona ni representante está autorizada a asumir responsabilidad alguna en nombre de la Compañía, excepto por lo expresado en la presente garantía, en relación con la venta de este producto.

Algunos estados no permiten limitaciones respecto de la duración de una garantía implícita o la exclusión o limitación de los daños indirectos incidentales, por lo tanto, es posible que las limitaciones antes citadas no correspondan en su caso. La presente Garantía le otorga derechos especiales y usted puede gozar de otros derechos que varían de un estado a otro.

U.S.A : Audiovox Corporation, 150 Marcus Blvd., Hauppauge, NY 11788, 1-800-323-4815

CANADA: Llamar a 1-800-323-4815 para la ubicación de la estación que le proporciona servicio de garantía.

Audiovox Electronics Corporation
150 Marcus Boulevard
Hauppauge, NY 11788
1-800-323-4815
www.audiovox.com

©2005 Audiovox
v.011405

UCD200

Manual de L'Utilisateur

For instructions in English, refer to page 2.

Para obtener instrucciones en Español, diríjase a la página 18.

PRÉPARATION

Mise en Marche

C'est une bonne idée de lire toutes les instructions avant de commencer l'installation.

Table des Matières

Instructions D'Installation	35
Câblage	37
Installation de la Dalle Amovible	38
Instructions d'Operation	39
Opération de la Platine CD.....	43
Soin et Entretien.....	45
Specifications	46
Garantie Limitée de 3 Mois	47

Exigences d'Installation

Cet appareil est destiné à être installé dans des voitures, des camions et des camionnettes avec une ouverture radio existante. Dans bien des cas, une trousse d'installation spéciale sera exigée pour monter la radio sur le tableau de bord. Ces trousse sont disponibles dans des magasins de fournitures électroniques et des boutiques qui spécialisent dans des stéréos voitures. Vérifiez toujours l'application de la trousse avant de l'acheter pour assurer que la trousse est compatible avec votre véhicule. Si vous avez besoin d'une trousse et ne pouvez pas en trouver une, veuillez prendre contact

avec notre soutien client à 1-800-645-4994 (Etats-Unis et Canada seulement).

Outils et Matériel

Vous aurez besoin des outils et du matériel suivants pour installer la radio :

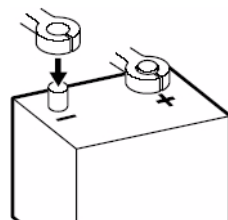
- Type Torx des tournevis Plat et Philips
- Des coupeurs de fil et séparateurs d'épuisement
- Outils pour enlever la radio existante (tournevis, un ensemble de clés à douille et d'autres outils)
- Bande électrique
- Outil à sertissage
- Voltmètre/lumière d'épreuve
- Connexions à sertissage
- Fer jauge 18 pour branchage puissance, fer jauge 16 – 18 de haut parleur

Pour les Haut Parleurs

Ne connectez que les haut parleurs qui sont évalués pour une impédance de charge de 4 ohms. Des hauts parleurs avec une impédance de charge de moins de 4 ohms peuvent nuire à l'appareil.

Débrancher la Batterie

Il faut toujours débrancher la borne de batterie négative avant de commencer.



Aide d'Installation Gratuite

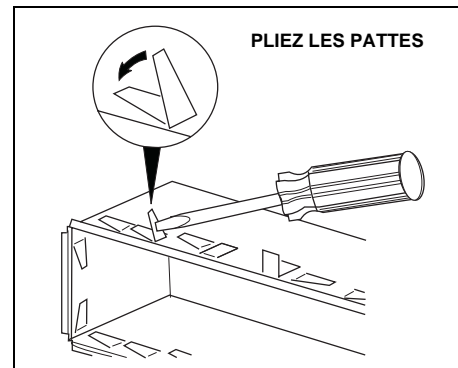
Si vous avez besoin d'aide, prenez contact avec Soutien Technique à 1-800-323-4815 de 8H30 à 19H EST lundi jusqu'à vendredi, et de 9H à 17H EST le samedi (Etats-Unis et Canada seulement).

INSTRUCTIONS D'INSTALLATION

Installation en Utilisant un Manchon de Montage

1. Glissez le manchon de montage du châssis. S'il est verrouillé, utilisez les outils d'enlèvement (fournis) pour le désengager.
2. Vérifiez la taille d'ouverture sur le tableau de bord en glissant dedans le manchon de montage. Si l'ouverture n'est pas assez grande, coupez ou nivelez à la lime comme il faut jusqu'à ce que le manchon glisse facilement dans l'ouverture. Ne forcez pas le manchon dans l'ouverture ou faire en sorte qu'il se plie ou se tord. Vérifiez qu'il y a suffisamment de place derrière le tableau de bord pour le châssis de la radio.
3. Trouvez une série de languettes de courbure sur le dessus, le dessous et les côtés du manchon de montage. Avec le manchon inséré jusqu'au bout dans l'ouverture du tableau de bord, pliez autant de languettes vers le dehors qu'il faut pour attacher le manchon au tableau de bord d'une manière ferme.
4. Placez la radio devant l'ouverture du tableau de bord pour que le câblage puisse être placé à travers le manchon de montage. Suivez le schéma du câblage et assurez-vous que toutes les connexions sont sûres et isolées avec des serres-fils ou de la bande électrique pour assurer le bon fonctionnement de l'appareil. Après avoir terminé avec les connexions du câblage mettez l'appareil en marche pour confirmer l'opération (le véhicule doit être allumé). Si l'appareil ne fonctionne pas, vérifiez de nouveau tout le câblage jusqu'à ce que le problème soit résolu.

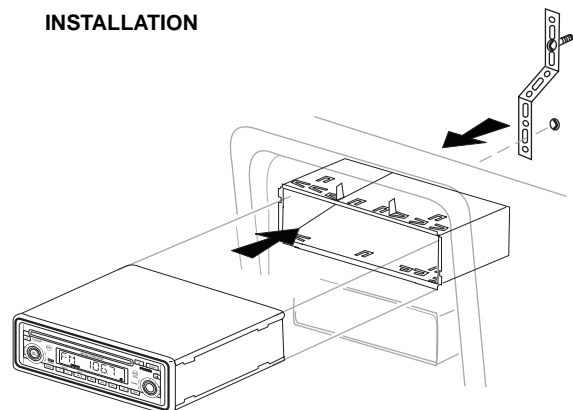
5. Assurez vous que la radio est montée dans le sens correct et puis glissez la radio dans le manchon de montage jusqu'à ce qu'il soit bien fixé et les attaches à ressort la verrouillent bien en place.
6. Attachez un bout de la courroie de soutien perforée (fournie) au goujon d'écrou à l'arrière du châssis en utilisant l'écrou hexagonal fourni. Attachez l'autre bout de la courroie perforée à une partie sûre du tableau de bord soit au-dessus ou au-dessous de la radio en utilisant l'écrou fourni. Pliez la courroie pour le positionner comme il faut.
7. Testez l'opération de la radio en vous référant aux instructions d'opération.



AVERTISSEMENT : La courroie de soutien doit être utilisée pour empêcher qu'il y ait des dégâts au tableau de bord du poids de la radio ou une opération incorrecte à cause de la vibration.

AVERTISSEMENT : Pour une bonne opération de la platine CD le châssis doit être monté dans un angle de 20° de l'horizontal. Assurez vous que l'appareil est monté avec cette limitation.

INSTALLATION



INSTRUCTIONS D'INSTALLATION

Installation de la Trousse

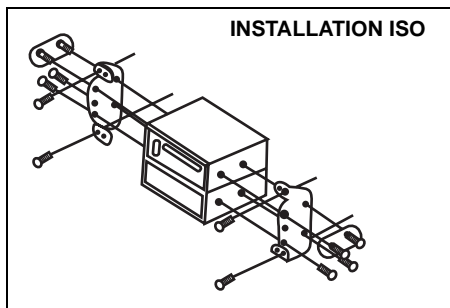
Si votre voiture exige l'usage d'une trousse d'installation pour monter la radio, suivez les instructions qui accompagnent la trousse pour attacher la radio au plateau de montage fourni avec la trousse.

1. Câblez et testez la radio en suivant les instructions pour l'installation universelle.
2. Installez l'ensemble radio /plateau de montage à la sous-planche de bord suivant les instructions contenues dans la trousse d'installation.
3. Attachez la lanière de support à la radio et à la planche de bord suivant les instructions pour l'installation universelle.
4. Remplacez le panneau de la planche de bord.

Installation ISO

L'appareil a des trous à visser sur les panneaux de côté du châssis qui peuvent être utilisés avec les supports de montage de l'usine de certains véhicules pour monter la radio sur la planche de bord. Consultez votre magasin de stéréos voiture pour être aidé dans ce type d'installation.

1. Enlevez la radio d'usine existante de la planche de bord ou du console central de montage. Préservez tout le matériel et les



consoles qui seront utilisés pour monter la nouvelle radio.

2. Ouvrez d'un coup sec le cadre plastique du devant du châssis de la nouvelle radio. Enlevez et jetez le cadre.
3. Enlevez les supports de montage et le matériel de la radio existante et attachez-les à la nouvelle radio.

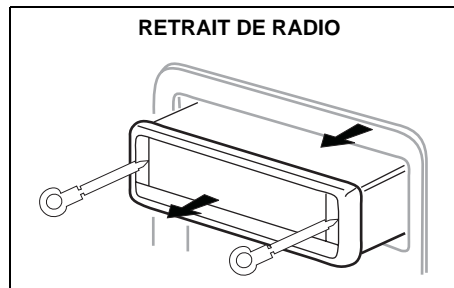
A NOTER : Ne dépassez pas une taille de clou de 5mm x 9mm. Des clous plus longs peuvent nuire aux composants à l'intérieur du châssis.

4. Câblez la nouvelle radio au véhicule en suivant les instructions pour l'installation universelle.

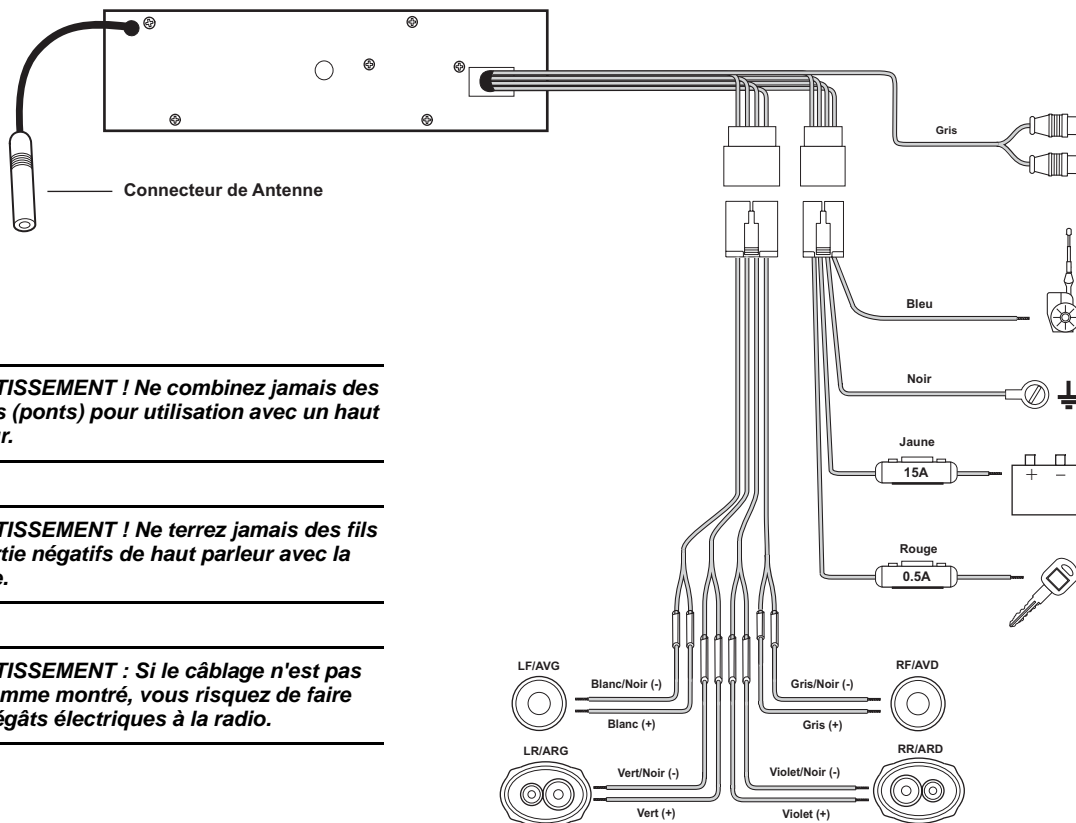
5. Montez l'ensemble de la nouvelle radio à la planche de bord ou au console central en renversant la procédure établie par (1).

Retrait de Radio

Insérez l'outil ou les outils spéciaux. Tirez l'autoradio. Débranchez le faisceau de câbles et enlevez l'autoradio.



CÂBLAGE



AVERTISSEMENT ! Ne combinez jamais des sorties (ponts) pour utilisation avec un haut parleur.

AVERTISSEMENT ! Ne terrez jamais des fils de sortie négatifs de haut parleur avec la masse.

AVERTISSEMENT : Si le câblage n'est pas fait comme montré, vous risquez de faire des dégâts électriques à la radio.

Câblage Amplificateur

Branchez le fil pour un amplificateur externe facultatif. Le fil rouge est pour la droite et le fil blanc pour la gauche.

Antenne Motorisée

Branchez à l'antenne motorisée ou à é l'amplificateur. S'il n'est pas utilis , recouvrez l'extrémité dénudée du fil de ruban adhésif.

Mise à la Terre

Connectez à la borne de mise à la terre.

Mémoire/Batterie

Connectez à la batterie ou à une source d'alimentation 12 volts toujours sous tension. La radio ne fonctionnera pas si ce fil n'est pas branché.

Accessoires/Allumage

Connectez au fil de la radio existante ou au fusible du radio.

Fusibles


Lors du remplacement d'un fusible, assurez-vous que le fusible de remplacement est du type et de la puissance appropriés. L'utilisation D'un fusible non approprié pourrait endommager la radio.

INSTALLATION DE LA DALLE AMOVIBLE

Installation de la Dalle

Pour installer la dalle, glissez le bord droite du panneau d'avant dans la radio et puis doucement appuyez sur le bord gauche jusqu'à ce qu'il se mette en place.

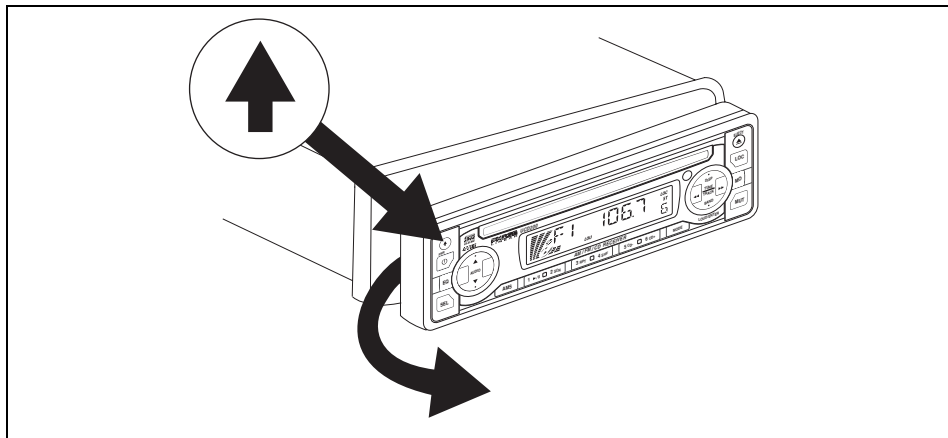
Détachement de la Dalle

Pour enlever la dalle, appuyez sur le bouton de relâche  et tirez doucement sur le côté gauche du panneau d'avant.

Pour sauvegarder, stockez toujours le panneau d'avant dans l'étui de protection fourni.

Précautions de Manipulation

- Assurez-vous que le panneau d'avant est posé dans le bon sens lorsque vous l'attachez au châssis comme il ne peut pas être attaché sens dessus, sens dessous.
- N'appuyez pas trop fort sur le panneau d'avant lorsque vous l'attachez au châssis. La pression légère ou modérée suffit.
- Lorsque vous attachez le panneau d'avant, assurez-vous qu'il est centré dans le cadre du châssis et qu'il est pressé tout droit dans sa position.
- Ne laissez pas tomber le panneau d'avant.
- Ne mettez pas de pression sur les boutons de contrôle ou d'affichage lorsque vous manipulez le panneau d'avant.
- Ne touchez pas les bornes électriques sur le panneau d'avant ou l'appareil principal.



- Enlevez des saletés et des substances étrangères avec un torchon propre et sec.
- N'exposez pas le panneau d'avant aux températures extrêmes ou des rayons de soleil direct.
- Gardez les agents volatiles tels que du benzène, des diluants ou des insecticides loin du panneau d'avant.
- Ne démontez pas le panneau d'avant.
- Lorsque vous prenez le panneau d'avant avec vous, utilisez l'étui fourni pour protéger le panneau des saletés et des dégâts.

- Assurez-vous qu'il n'y a pas de poussière ou des saletés sur les bornes électriques à l'arrière du panneau comme cela peut causer des problèmes d'opération ou d'autres formes de mauvais fonctionnement.

A NOTER : Situé sur le châssis derrière le panneau d'avant, un diode électro-lumineuse (LED) va clignoter lorsque le panneau est enlevé. La lumière clignotante sert d'avertissement visuel à un voleur quelconque que l'appareil a été désactivé par l'enlèvement du panneau d'avant.

INSTRUCTIONS D'OPERATION

① Bouton Puissance En Marche/En Arrêt (PWR)

Appuyez sur le bouton **PWR** (1) pour mettre l'appareil en marche ou en arrêt, lorsque la clé de contact du véhicule est allumée. Lorsque l'appareil n'est pas en marche, l'horloge sera automatiquement affiché sur le panneau d'affichage à cristaux liquides, à moins que la clé de contact ne soit pas allumée. Si la radio n'est pas en marche lorsque la clé de contact n'est pas allumée, il faudra appuyez sur le bouton **PWR** pour mettre la radio en marche lorsque la clé de contact est allumée. Si la clé de contact est éteinte lorsque la radio est en marche, la radio se remettra automatiquement en marche lorsque la clé de contact est allumée.

② Panneau d'Affichage à Cristaux Liquides

Le panneau d'affichage à cristaux liquides affiche la fréquence, le temps et toutes les fonctions activée y compris un graphique à cinq barres qui dépeint le niveau du signalment.

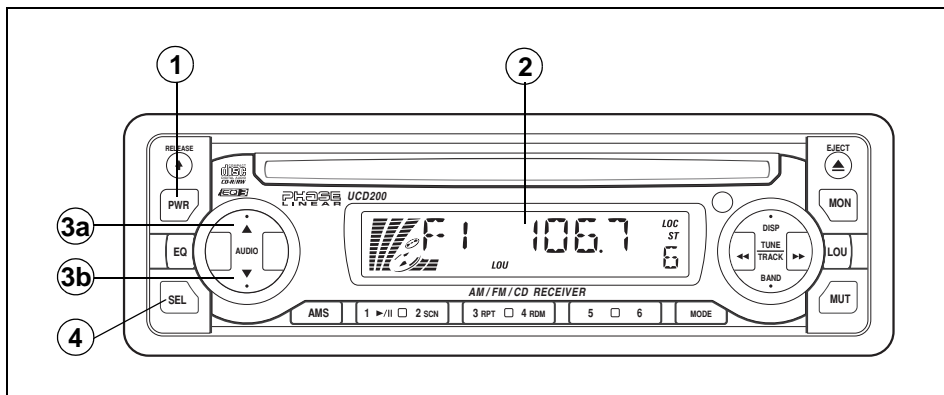
A NOTER : C'est une caractéristique des panneaux d'affichage à cristaux liquides que lorsqu'ils sont sujets à des froids prolongés, ils peuvent mettre plus longtemps pour s'illuminer que dans des conditions normales. En outre, la visibilité des numéro sur le panneau d'affichage à cristaux liquides peut diminuer légèrement. La lecture de l'affichage à cristaux liquides reviendra à normal lorsque la température à l'intérieur du véhicule remonte à normal.

③ Contrôle du Volume (AUDIO)

Pour augmenter le niveau du volume, appuyez sur le bouton **AUDIO ▲** (3a). Pour diminuer le niveau de volume appuyez sur le bouton **AUDIO ▼** (3b). Le volume va augmenter/diminuer et le niveau sera affiché sur le panneau d'affichage d'un minimum de V00 jusqu'au maximum de V46. Maintenez l'appui sur le bouton pour augmenter/diminuer le volume rapidement. L'affichage va automatiquement revenir à l'indication normal 5 secondes après le dernier ajustement pour volume ou quand une autre fonction est activée. Ces contrôles sont aussi utilisés en conjonction avec le bouton **SEL** pour ajuster la basse, l'aigu, la balance et l'équilibreur.

④ Bouton de Sélection (SEL)

Le bouton **SEL** est utilisé pour sélectionner la fonction audio (volume, basse, aigu, balance et équilibreur) à être ajustée en utilisant les boutons **AUDIO** (3a et 3b). Appuyez sur le bouton **SEL** (4) une fois pour régler l'appareil pour ajustement du volume (V apparaîtra sur le panneau d'affichage). Appuyez sur le bouton plusieurs fois pour sélectionner l'ajustement de basse (BA apparaîtra sur l'affichage), l'ajustement pour aigu (TR), balance (B), équilibreur (F) et volume (V) encore une fois. L'affichage reviendra à l'indication normale 5 secondes après le dernier ajustement ou lorsqu'une autre fonction est activée.



INSTRUCTIONS D'OPERATION

④ Contrôle de Basse

Pour ajuster le niveau de basse, sélectionnez d'abord la mode Basse en appuyant sur le bouton **SEL** (4) jusqu'à ce que BA apparaisse sur le panneau d'affichage. Dans cinq secondes, appuyez sur les boutons **AUDIO** (3a et 3b) pour ajuster la réponse basse d'un minimum de B-7 à un maximum de B 7. (B 0 représente une réponse plate).

④ Contrôle d'Aigu

Pour ajuster le niveau d'aigu, appuyez sur le bouton **SEL** jusqu'à ce que TR apparaisse sur le panneau d'affichage. Dans cinq secondes, appuyez sur les boutons **AUDIO** (3a et 3b) pour ajuster l'aigu d'un minimum de TR-7 jusqu'à un maximum de TR 7. (TR 0 représente une réponse plate).

④ Contrôle Balance Droite/Gauche

Pour ajuster l'équilibre entre les hauts parleurs de droite et de gauche, appuyez sur le bouton **SEL** (4) jusqu'à ce que B apparaisse sur le panneau d'affichage (s'ils ne sont pas équilibrés, BL ou BR suivi par le niveau de balance va apparaître). Dans cinq secondes, appuyez sur les boutons **AUDIO** (3a et 3b) pour ajuster la balance entre les hauts parleurs de gauche et de droite de BL15 (plein gauche) jusqu'à BR 15 (plein droite). B00 représente un niveau de balance égale entre les hauts parleurs de droit et de gauche.

④ Contrôle Équilibre Avant/Arrière

Pour ajuster l'équilibre entre les hauts parleurs d'avant et d'arrière, appuyez sur le bouton **SEL** (4) jusqu'à ce que F apparaisse sur le panneau d'affichage. Dans cinq secondes, appuyez sur les boutons **AUDIO** (3a et 3b) pour ajuster l'équilibre entre les hauts parleurs d'avant et d'arrière de FR15 (plein arrière) à FF15 (plein avant). F 00 représente un niveau d'équilibre égal entre les hauts parleurs d'avant et d'arrière.

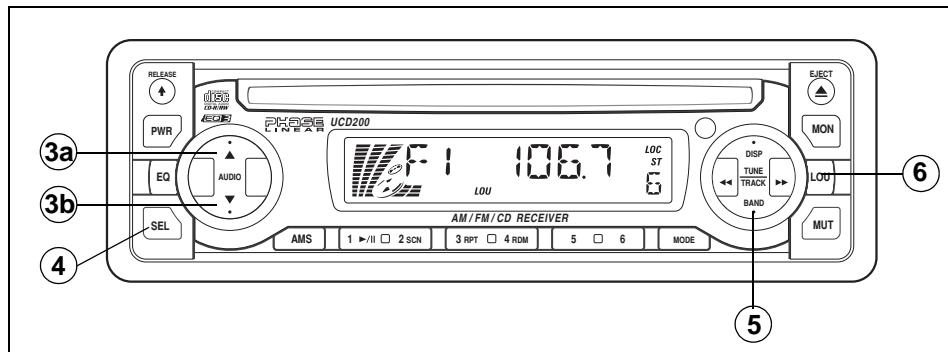
⑤ Sélectionneur Bande AM/FM (BAND)

Chaque fois que le bouton **BAND** (5) est appuyé, alors que la radio est en train de jouer,

la radio va changer de bande. Les indications AM1, AM2, FM1, FM2 ou FM3 apparaîtront sur le panneau d'affichage selon votre sélection.

⑥ Contrôle d'Intensité (LOU)

Lorsque vous écoutez de la musique à des niveaux de volume bas, cette fonction va relever les gammes de basse et d'aigu pour compenser pour les caractéristiques de l'ouïe humaine. Appuyez sur le bouton **LOU** (6) pour activer cette fonction comme indiqué par un bip et LOUD va apparaître sur le panneau d'affichage. (LOUD reste affiché). Appuyez sur ce bouton de nouveau et il y aura un bip et LOUD va disparaître du panneau d'affichage.



INSTRUCTIONS D'OPERATION

⑦ Contrôle de Syntonisation

Recherche Syntonisation

Appuyez sur le bouton **TUNE/TRACK** (▶) (7a) pour syntoniser la radio plus haut, sur le bouton **TUNE/TRACK** (<◀) (7b) pour syntoniser la radio plus bas. La radio va chercher la prochaine station forte et s'arrêter.

Syntonisation à la Main

Pour chercher une station spécifique à la main, appuyez d'abord sur le bouton **TUNE/TRACK** haut ou bas pendant plus de 2 secondes jusqu'à ce que MANU apparaisse sur l'affichage. Appuyez sur les boutons **TUNE/TRACK** haut ou bas momentanément pour syntoniser deux fréquences à la fois. S'il n'y a plus de syntonisation après cinq secondes, AUTO va apparaître sur le panneau d'affichage et la syntonisation reviendra à la mode de syntonisation d'origine.

⑧ Muet Audio (MUT)

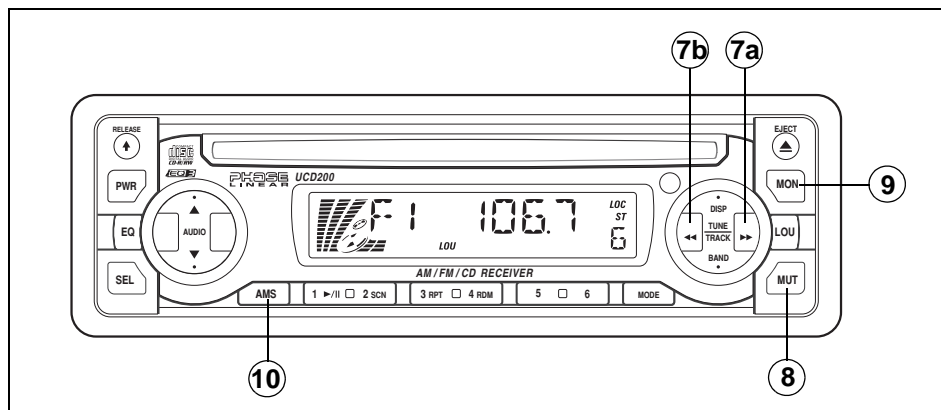
Appuyez sur le bouton **MUT** (8) pour taire le volume du système. MUTE va apparaître sur le panneau d'affichage. Appuyez de nouveau sur **MUT** (ou activer une autre fonction) pour retourner le niveau de volume au réglage qui était utilisé avant que la fonction Muet n'ait été activée.

⑨ Sélection Mono FM (MON)

Pendant l'opération radio FM, le bouton **MON** (9) est utilisé pour sélectionner la réception stéréo ou monaurale du signal de transmission. Dans des conditions de réception normales, l'appareil doit être laissé en mode stéréo (indiqué par ST lorsque vous êtes syntonisé à un signal de FM stéréo). Si le signal fait trop de bruit pour une écoute confortable appuyez sur le bouton **MON**, l'indication ST va disparaître de l'affichage et MONO va apparaître. Appuyez de nouveau sur ce bouton pour revenir à la réception stéréo.

⑩ Auto-Stockage/Syntonisation à Balayage Pré-réglé (AMS)

Appuyez sur le bouton **AMS** (10) momentanément pour balayer 6 stations dans la mémoire pré-réglée pour toutes les bandes FM. L'appareil va s'arrêter à chaque station pré-réglée pendant 10 secondes. Appuyez de nouveau sur **AMS** pour arrêter le balayage et sélectionner la fréquence courante. Appuyez sur le bouton **AMS** pendant plus de deux secondes pour activer la fonction Syntonisation à auto-stockage. La radio va automatiquement balayer la bande utilisée et entrer des stations fortes dans la mémoire pré-réglée pour cette bande.



INSTRUCTIONS D'OPERATION

11 Mémoires Pré-Réglée de Station

Pour régler n'importe laquelle des six boutons de mémoires pré-réglées, utilisez la procédure suivante :

1. Mettez l'appareil en marche et sélectionnez la bande désirée.
2. Sélectionnez la première station à être pré-réglée en utilisant les bouton **TUNE/TRACK** (7a et 7b).
3. Appuyez sur un bouton pré-réglé jusqu'à ce que vous écoutiez une tonalité de confirmation. Le numéro pré-réglé va apparaître dans le panneau d'affichage. La station est mise en mémoire et peut être rappelée à n'importe quel moment en appuyant momentanément sur ce bouton-là.

Répétez cette procédure pour les 5 pré-réglages qui restent pour la bande courante. Vous pouvez stocker jusqu'à six stations pour chaque bande.

12 Sélectionneur d'Égaliseur (EQ)

Le bouton **EQ** (12) applique des effets sonores pré-réglés au signalement de sortie audio de l'appareil. Lorsqu'il est appuyé, il va activer l'une des modes suivantes : CLS, POP, ROC. Lorsque la fonction Egaliseur est active, les niveaux de basse et d'aigu peuvent toujours être changés pour accommoder l'oreille de l'écouteur. Lorsque la fonction EQ n'est pas active, l'appareil reviendra aux niveaux de basse et d'aigu réglés par l'utilisateur.

13 Sélectionneur d'Affichage (DISP)

Cet appareil peut afficher soit l'heure de l'horloge soit les fonctions fréquence radio/platine CD. Appuyez sur le bouton **DISP** (13) pour afficher l'heure pendant à peu près cinq secondes. L'heure correcte peut être réglée en appuyant sur le bouton **DISP**. La procédure est expliquée dans la section suivante.

Régler l'Horloge

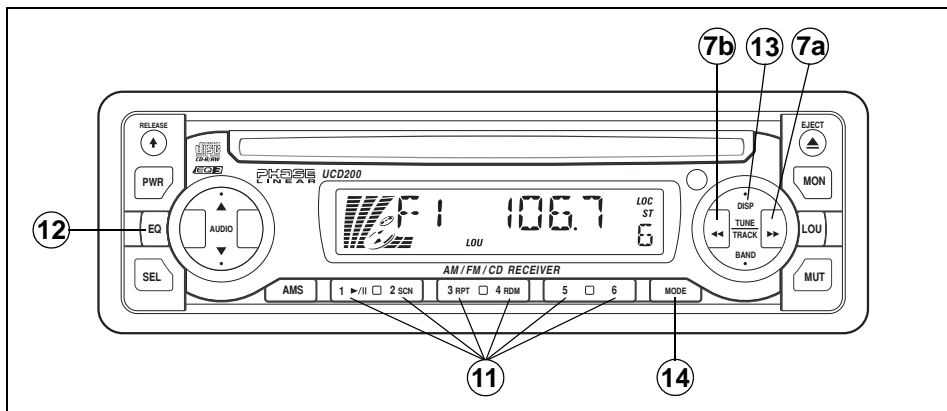
Appuyez sur le bouton **DISP** (13) jusqu'à ce que l'horloge clignote dans l'affichage. Appuyez sur le bouton **TUNE/TRACK** (<◀) (7b) pour ajuster l'heure. Appuyez sur le bouton **TUNE/TRACK** (▶>) (7a) pour ajuster les minutes.

Appuyez de nouveau sur le bouton **DISP** pour revenir à la fréquence radio ou à la reproduction du disque.

14 Sélectionneur de Mode (MODE)

Appuyez sur le bouton **MODE** (14) pour changer entre la radio et l'opération de la platine CD. La mode courante est indiquée sur le panneau d'affichage.

Pendant l'opération de la platine CD, ce bouton peut être utilisé pour changer à la radio sans éjecter le disque (l'icône CD (CD) restera affichée pour indiquer qu'un disque est toujours chargé sur l'appareil). Appuyez de nouveau sur **MODE** pour revenir à l'opération CD.



OPÉRATION DE LA PLATINE CD

15 Fente du Disque

jusqu'à ce que le mécanisme à chargement doux s'engage et la reproduction commence. LOAd va apparaître momentanément. Lorsqu'il est chargé, l'indication () deviendra animé et le numéro de piste et le temps écoulé vont apparaître dans l'affichage.

A NOTER : L'appareil n'est conçu pour jouer que des disques de taille standardisée 5" (12cms). N'essayez pas d'utiliser des disques de taille 3" (8cms) avec ou sans adaptateur, comme ils peuvent nuire à la platine et/ou le disque. De tels dégâts ne sont pas couverts par le garanti qui vient avec ce produit.

7 Sélectionneur de Piste (TUNE/TRACK)

Les fonctions Sélection de Piste sont utilisées pour accéder rapidement le début d'une piste particulière. Chaque fois que vous appuyez sur le bouton **TUNE/TRACK** (▶>) (7a) le prochain numéro de piste supérieure sera sélectionné comme montré dans le panneau d'affichage. Chaque fois que vous appuyez sur le bouton **TUNE/TRACK** (<<) (7b), le prochain numéro

de piste inférieur sera sélectionné, comme montré dans le panneau d'affichage.

7 Fonctions Repère/Revue

Appuyez sur le bouton **TUNE/TRACK** (▶>) (7a) pour avancer rapidement ou sur le bouton **TUNE/TRACK** (<<) (7b) pour reculer rapidement. Pendant les deux fonctions, le temps écoulé de chaque piste sera montré dans le panneau d'affichage.

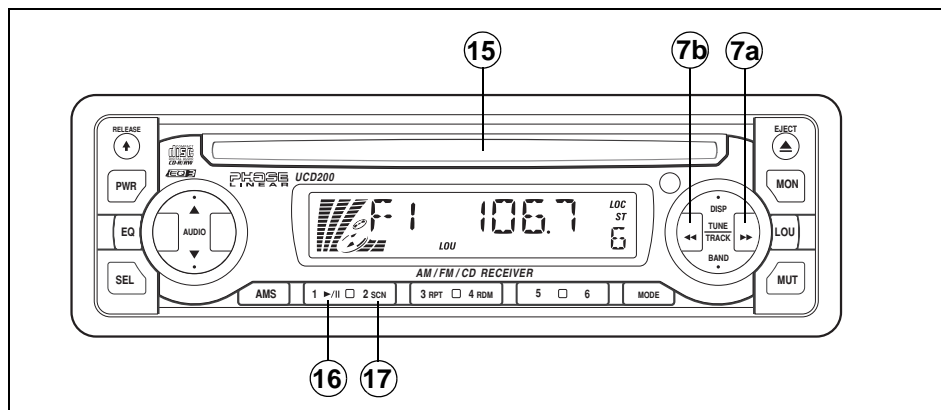
16 Sélection du Jeu Disque/Pause

Appuyez sur le bouton ▶/II (16) pour arrêter la reproduction. PAUS va apparaître sur

l'affichage. Appuyez de nouveau sur ▶/II pour recommencer la reproduction du disque et l'indication PAUS va disparaître.

17 Sélection de Balayage Piste (SCN)

Appuyez sur le bouton **SCN** (17) alors que le disque est en train de jouer, pour jouer les dix premières secondes de chaque piste. (SCN sera affiché avec le numéro de la piste). Lorsque vous arrivez à une piste désirée, appuyez de nouveau sur le bouton **SCN** pour annuler la fonction et jouer la piste sélectionnée.



OPÉRATION DE LA PLATINE CD

18 Sélection de Répétition d'une Piste (RPT)

Appuyez sur le bouton **RPT** (18) alors que le disque est en train de jouer, pour répéter la reproduction de la piste sélectionnée (REPEAT va apparaître sur le panneau d'affichage). La reproduction de la piste va continuer jusqu'à ce que le bouton **RPT** soit appuyé de nouveau et REPEAT disparaisse du panneau d'affichage. Le mode de répétition peut être annulée en activant les fonctions Balayage de Piste ou Jeu au Hasard.

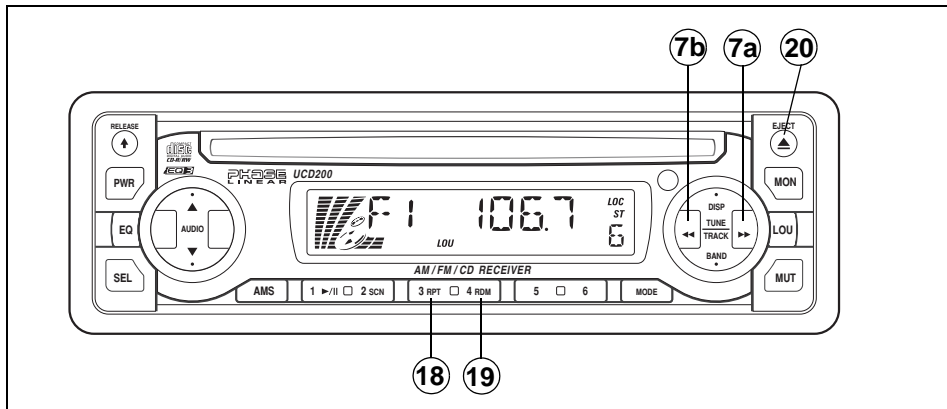
19 Sélection du Jeu au Hasard (RDM)

Appuyez sur le bouton **RDM** (19) alors que le disque est en train de jouer, pour jouer les pistes sur un disque dans un ordre mélangé (RANDOM va apparaître sur le panneau d'affichage). En mode jeu au hasard, vous pouvez appuyer les boutons **TUNE/TRACK** (7a et 7b) pour sélectionner des pistes au hasard au lieu d'une progression normale. Appuyez de nouveau sur **RDM** pour annuler la mode jeu au hasard. Le mode jeu au hasard peut aussi être annulée en activant les fonctions Répétition de Piste (18) ou Balayage de Piste (17).

20 Bouton Ejection du Disque

Lorsque le bouton d'éjection du disque (20) est appuyé, la reproduction du disque s'arrête, le disque est éjecté et l'appareil change à l'opération radio (EJEC va apparaître brièvement sur le panneau d'affichage. Si le disque n'est pas enlevé de l'appareil dans 15 secondes, l'appareil va recharger le disque.

A NOTER : Pour empêcher que le disque ne soit pas accidentellement endommagé enlevez toujours le disque de l'appareil lorsque la reproduction du disque est terminée.



SOIN ET ENTRETIEN

Votre nouvelle platine CD/radio n'a pas besoin d'être entretenu. Cependant, une compréhension correcte de son utilisation et manipulation vous aidera à obtenir une jouissance maximum de ses capacités. Nous recommandons que vous gardez ce guide comme référence pour les fonctions multiples de cet appareil, aussi bien que pour régler l'horloge. Gardez les points suivants à l'esprit :

- Lorsque vous nettoyez le véhicule, ne versez pas d'eau ou de détergents liquides sur l'appareil.
- La platine CD est un instrument de précision et ne fonctionnera pas dans des froids ou des chaleurs extrêmes. Si de telles conditions prévalent, attendez que la température à l'intérieur du véhicule redevienne normale avant de jouer.
- Si la température à l'intérieur de la platine devient trop chaud, un circuit de protection va automatiquement arrêter le jeu. Dans ce cas, permettez à l'appareil de se refroidir avant de l'utiliser.
- N'insérez jamais rien d'autre qu'un disque compact de 5" (12cm) dans la platine comme ce mécanisme peut souffrir des dégâts à cause des objets étrangers.
- N'essayez jamais d'utiliser des disques compacts de 3" (8cm) dans cet appareil, avec ou sans adaptateur, comme cela peut nuire à la platine ou au disque. De tels dégâts ne seront pas couverts par le garanti sur ce produit.

- Enlevez toujours le disque compact, si vous n'utilisez pas la platine. Ne laissez jamais un disque compact dans la fente à disque comme cela peut l'exposer aux rayons du soleil et autres facteurs qui peuvent nuire.
- N'essayez pas d'ouvrir le châssis de l'appareil. Il n'y a pas de pièces qui sont susceptibles à être dépanné par l'utilisateur ou des points d'ajustement à l'intérieur.
- Lorsque le véhicule se réchauffe pendant la saison froide ou dans des conditions humides, de la condensation peut apparaître sur les lentilles de la platine. Si cela arrive, la platine ne fonctionnera pas jusqu'à ce que l'humidité ait évaporé.
- L'appareil est conçu avec un mécanisme d'amenuisement de vibrations pour minimiser l'interruption du jeu du disque à cause de la vibration normale d'un véhicule en mouvement. Lorsque vous conduisez sur les surfaces rugueuse, des sauts de son peuvent arriver. Cela ne nuira pas au disque et le jeu normal reprendra lorsque les conditions rugueuses disparaissent.

Manipulation des Disques Compacts

De la poussière, des saletés, des égratignures et des torsions, peuvent produire des sauts dans la reproduction et une détérioration dans la qualité du son. Suivez ces conseils pour entretenir vos disques compacts :

- Essayez des empreintes digitales, de la poussière et des saletés déposées sur la surface du disque avec un torchon doux. Essayez dans un mouvement droit à partir du centre du disque jusqu'au bord.
- N'utilisez jamais des produits chimiques tels que des vaporisateurs pour disque ou des détergents domestiques pour nettoyer vos disques compacts. Ces produits peuvent irréparablement nuire à vos disques.
- Gardez les disques dans leur boîte de stockage lorsque vous ne les écoutez pas.
- N'exposez pas les disques aux rayons de soleil directs, à des températures très chaudes ou à l'humidité pendant de longues périodes.
- Ne collez pas de papier, de la bande adhésive ou des étiquettes sur la surface du disque.

BOUTON DE REMISE À L'ÉTAT INITIAL

Un bouton de remise à l'état initial est situé derrière la dalle à gauche (il faut enlever le panneau d'avant pour accéder à ce bouton). La fonction remise à l'état initial est fournie pour protéger la circuiterie du microprocesseur, et ne doit être activé que dans des circonstances suivantes, comme il effacera l'heure et les mise en mémoires pré-réglées : Après l'installation dès que tout le câblage est terminé; S'il y a un mauvais fonctionnement de l'un des interrupteurs de l'appareil, vous pouvez appuyer sur le bouton de remise à l'état initial pour nettoyer le système et revenir à l'opération normale.

SPECIFICATIONS

Capacité CD-R et CD-RW

Dépendant du type de média et des méthodes d'enregistrement quelques CD-R/RW peuvent être incompatible avec cet appareil. **La séance doit être close après l'enregistrement.**

Référez-vous aux procédures recommandées de votre logiciel pour clore un disque/séance. Revoyez votre logiciel d'enregistrement afin de vous familiariser avec les procédures d'enregistrement correctes. Nous recommandons les dernières versions de logiciel d'enregistrement ROXIO™ et NERO™.

En outre, cet appareil ne reconnaîtra le format **CDDA (Compact Disc Digital Audio) enregistré sur un CDR/RW**. Cet appareil n'est pas compatible avec les formats MP 3, WMA, WAV, OGG ou autre. Le format CDDA est le format standard d'un CD " acheté dans une boutique ". Lorsque vous enregistrez un CDR/RW assurez vous que le format CDDA est sélectionné.

Spécifications Techniques



Indices de Puissance CEA

Sortie puissance : 13 watts RMS x 4 chaînes multiplié par 4 ohms @ < 1% THD + N
 Rapport signalment au bruit : 70 dBA sous référence (Référence : 1 watt, 4ohms)
 Réponse fréquence : 20Hz à 20kHz, -3dB
 Référence d'alimentation voltage : 14.4 VDC

Platine CD

Rapport signalment au bruit : >75dBA
 Réponse fréquence : 20Hz à 18kHz, -3dBA
 Séparation des chaînes : >55dB @ 1kHz
 Convertisseur D/A : 1bit/Ch

Tuner FM

Gamme de syntonisation : 87.5 MHz à 107.9 MHz
 Sensibilité mono : 18dBf
 Sensibilité d'assourdissement stéréo 50dB : 20 dBf

Séparation stéréo @ 1kHz : >30dB
 Réponse fréquence : 30Hz à 12kHz, -3dB

Tuner AM

Gamme de syntonisation : 530kHz à 1710kHz
 Sensibilité @ 20 dB signalment au bruit: 30uV
 Réponse fréquence : 30 Hz à 2 kHz, -3dB

Général

Alimentation : 11 à 16 VDC, terre négative
 Fusibles : Pile -15amp/AGC, Allumage/
 Accessoire -0.5 amp/AGC
 4+9 pin harnais à connexion rapide
 Dimensions : 7" x 7" x 2" (178mm x 178mm x 51mm)

Les spécifications peuvent changer sans avis préalable.

GARANTIE LIMITÉE DE 3 MOIS

AUDIOVOX CORPORATION (la Société) garantit à l'acheteur initial du produit que si tout ou partie de ce produit, en cours d'utilisation et sous des conditions normales, venait à présenter des vices de matière primitive ou des défauts de fabrication, dans les 3 mois suivant la date d'achat initial, ce(s) défaut(s) sera(seront) réparé(s) ou remplacé(s) par un produit neuf ou reconditionné (au choix de la Société), sans frais de pièces ni de main-d'oeuvre. Si ce produit doit être réparé ou remplacé durant la période de la Garantie, il doit être expédié, accompagné d'un document prouvant qu'il est couvert par la garantie (ex. contrat de vente daté) en précisant la (les) défektivité(s), transport prépayé, au centre de garantie dont l'adresse apparaît ci-dessous.

Cette Garantie ne couvre pas l'élimination des parasites ou des bruits générés par le moteur, la correction des problèmes d'antenne, les frais encourus pour l'installation, le retrait ou la réinstallation du produit, ni les dommages causés aux cassettes, disques compacts, accessoires ou au système électrique du véhicule. Cette Garantie ne s'applique pas aux produits ou aux parties constituantes qui, de l'avis de la Compagnie, ont été endommagés par suite de modification, d'installation incorrecte, de mauvaise manipulation, d'utilisation abusive, de négligence, d'accident,

ou encore du retrait ou du griffonnage des inscriptions ou de l'étiquette code à barres/ numéro de série installé en usine. SELON LES TERMES DE CETTE GARANTIE, LA RESPONSABILITE DE LA SOCIETE EST LIMITEE A LA REPARATION OU AU REMPLACEMENT, TEL(LE) QU'IL(ELLE) EST STIPULE(E) CI-DESSUS ET, EN AUCUN CAS, LA RESPONSABILITE DE LA SOCIETE NE POURRA EXCEDER LE PRIX D'ACHAT PAYE PAR L'ACHETEUR DU PRODUIT.

Cette Garantie remplace toute autre garantie expresse ou responsabilité. TOUTE GARANTIE TACITE, COMPRENANT TOUTE GARANTIE DE QUALITE LOYALE ET MARCHANDE, EST LIMITEE A LA DUREE DE CETTE GARANTIE ECRITE. TOUTE ACTION POUR RUPTURE DE TOUTE GARANTIE, SELON LES TERMES DE LA PRESENTE, COMPRENANT TOUTE GARANTIE IMPLICITE DE QUALITE LOYALE ET MARCHANDE, DOIT ETRE INTENTEE DANS LES 30 MOIS A COMPTER DE LA DATE D'ACHAT INITIAL. EN AUCUN CAS LA SOCIETE NE SERA RESPONSABLE DE TOUT DOMMAGE INDIRECT OU FORTUIT POUR RUPTURE DE CETTE GARANTIE OU DE TOUTE AUTRE GARANTIE, EXPRESSE OU IMPLICITE, DE QUELLE QUE NATURE QUE CE SOIT. Aucune personne ni aucun

représentant n'est autorisé(e) à assumer, au nom de la Société, d'autre responsabilité que celle exprimée dans la présente, et se rapportant à la vente de ce produit.

Certains Etats n'autorise pas les restrictions relatives à la durée d'application des garanties implicites ni l'exclusion ou la limitation des dommages indirects ou fortuits. Dans ces Etats, de telles limitations ou exclusions ne s'appliquent donc pas. Cette Garantie vous donne des droits juridiques spécifiques et vous pouvez également jouir d'autres droits, suivant l'Etat dans lequel vous vivez.

U.S.A : Audiovox Corporation, 150 Marcus Blvd., Hauppauge, NY 11788, 1-800-323-4815

CANADA: Composez le 1-800-323-4815 connaître l'adresse du poste de garantie de votre région.

Audiovox Electronics Corporation
150 Marcus Boulevard
Hauppauge, NY 11788
1-800-323-4815
www.audiovox.com

©2005 Audiovox
v.011405